

Product Specification Sheet

Pacific 5.5°-13° Very Narrow Zoomspot



A base down axial profile delivering a “cool” beam of light.

The beam is a crisp “white” light with little or no distortion, ideal for pattern projection and precise beam shaping.

An energy efficient luminaire with active heat management system delivers longer life for filters, shutters etc and lower energy consumption.

Features

Compact 5.5°-13° luminaire less than 1 metre long.

Cool light ‘white’ light. Over 80% of the heat is removed from the light beam by cold mirror and dissipated through the heatsink.

Base down lamp mounted axially in the reflector to maximise light collection.

Choice of 600W, 800W, 1000W or 150W MH or MSR 575W lamp modules (each supplied with 1m mains cable).

Accurate, simple & cool to use, lamp peak / flat adjustment.

Two pattern / iris mounting positions.

Independent rotating gate assembly.

Constructed from aluminium pressure die-castings and injection moulded Fortron plastic components.

Automatic disconnection of power on removal of lamp module.

Lamps: 240V

GKV600W	15,000 lumens	300 hours average life
GLB600W	13,000 lumens	1500 hours average life
800W	22,000 lumens	400 hours average life
GAD1000WBP	25,000 lumens	250 hours average life
GAB1000W BP 230V	25,000 lumens	250 hours average life

Order Codes

18PAC513/6	Pacific 5.5-13 Zoomspot, 600W, 800W
18PAC513/1	Pacific 5.5-13 Zoomspot, 1000W
18PACMSR513HR	Pacific 5.5-13 Zoomspot, HR 575W MSR lamp module
18PACCDM513	Pacific 5.5-13 Zoomspot, CDM 150W/70W lamp module
19PACGHM	Pacific gobo holder, M size
20IRIS	Pacific Iris
20SM20	Lens safety mesh
20HC	Suspension hook clamp

Approvals

CE marked.

Photometric Data

Tests conducted using standard 240V production lamps manufactured by Philips.

		Beam Diameter									
Beam angle	5.5 °, m	0	0.4	0.8	1.2	1.5	1.9	2.3	2.7	3.1	
Beam angle	13 °, m	0	0.9	1.8	2.7	3.6	4.6	5.5	6.4	7.3	
Throw Distance in m		0	4	8	12	16	20	24	28	32	
Lamp		Light Output in Lux									
240V BP 1000W	5.5°	Peak	41060	10265	4562	2566	1642	1141	838	642	
		Flat	41060	10265	4562	2566	1642	1141	838	642	
	13°	Peak	20120	5030	2236	1258	805	559	411	314	
		Flat	20120	5030	2236	1258	805	559	411	314	
240V GKV 600W	5.5°	Peak	41240	10310	4582	2578	1650	1146	842	644	
		Flat	41240	10310	4582	2578	1650	1146	842	644	
	13°	Peak	22872	5718	2541	1430	915	635	467	357	
		Flat	16000	4000	1778	1000	640	444	327	250	
80V 1200W	5.5°	Peak	60000	15000	6667	3750	2400	1667	1224	938	
		Flat	49200	12300	5467	3075	1968	1367	1004	769	
	13°	Peak	39500	7240	4389	2469	1580	1097	806	617	
		Flat	28960	7240	3218	1810	1158	804	591	453	
MSR 575 / 2	5.5°	Peak	235600	58900	26178	14725	9424	6544	4808	3681	
		Flat	118300	29575	13144	7394	4732	3286	2414	1848	
	13°	Peak	112500	28125	12500	7031	4500	3125	2296	1758	
		Flat	92800	23200	10311	5800	3712	2578	1894	1450	
CDM-T 150W/830	5.5°	Peak	27580	6895	3064	1724	1103	766	563	431	
		Flat	27580	6895	3064	1724	1103	766	563	431	
	13°	Peak	15655	3914	1739	978	626	435	319	245	
		Flat	15655	3914	1739	978	626	435	319	245	
CST 250 HR	5.5°	Peak	31250	7813	3472	1953	1250	868	638	488	
		Flat	31250	7813	3472	1953	1250	868	638	488	
	13°	Peak	13750	3438	1528	859	550	382	281	215	
		Flat	13750	3438	1528	859	550	382	281	215	

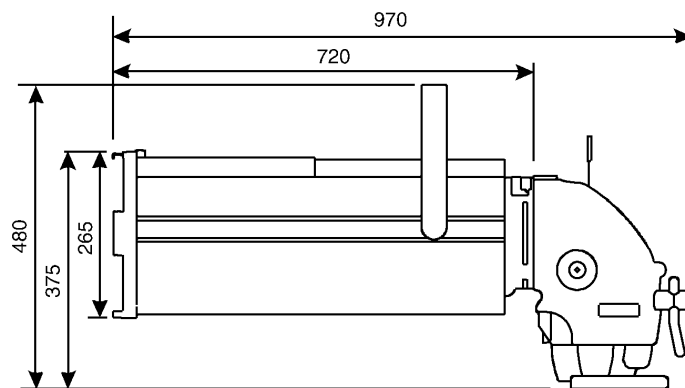
Physical Data

Weight: 16.7kg

Colour frame size: 245mm square

Gobo size: M, 50mm diameter image

Included: 1x colour frame, 1x fitted safety cable, 1x heat sink guard, 1x suspension bolt set and instruction leaflet



Philips Selecon reserves the right to change the specifications without notice (October 2011).

PHILIPS
Selecon

Product Specification Sheet

Pacific 7.5°-19° Zoomspot



A base down axial profile delivering a “cool” beam of crisp “white” light with little or no distortion, ideal for pattern projection and precise beam shaping, ideal for pattern projection and precise beam shaping. The active heat management system delivers longer life for filters, shutters etc and lower energy consumption.

The Pacific range is constructed from aluminium pressure die-castings and injection moulded Fortron plastic components.

Features

Compact 7.5°-19° luminaire less than 1 metre long.

Cool light 'white' light. Over 80% of the heat is removed from the light beam by cold mirror and dissipated through the heatsink.

Base down lamp mounted axially in the reflector to maximise light collection.

Choice of 600W, 800W, 1000W or 150W MH or MSR 575W lamp modules (each supplied with 1m mains cable).

Accurate, simple & cool to use, lamp peak / flat adjustment.

Two pattern / iris mounting positions.

Independent rotating gate assembly.

Constructed from aluminium pressure die-castings and injection moulded Fortron plastic components.

Automatic disconnection of power on removal of lamp module.

Lamps: 240V

GKV600W	15,000 lumens	300 hours average life
GLB600W	13,000 lumens	1500 hours average life
800W	22,000 lumens	400 hours average life
GAD1000WBP	25,000 lumens	250 hours average life
GAB1000W BP 230V	25,000 lumens	250 hours average life

Order Codes

18PAC719/6	Pacific 7.5-19 Zoomspot, 600W, 800W
18PAC719/1	Pacific 7.5-19 Zoomspot, 1000W
18PACMSR719HR	Pacific 7.5-19 Zoomspot, HR 575W MSR lamp module
18PACCDM719	Pacific 7.5-19 Zoomspot, CDM 150W/70W lamp module
19PACGHB	Pacific gobo holder, B size
20IRIS	Pacific iris
20SM20	Lens safety mesh
20HC	Suspension hook clamp

Approvals

CE marked.

Photometric Data

Tests conducted using standard 240V production lamps manufactured by Philips.

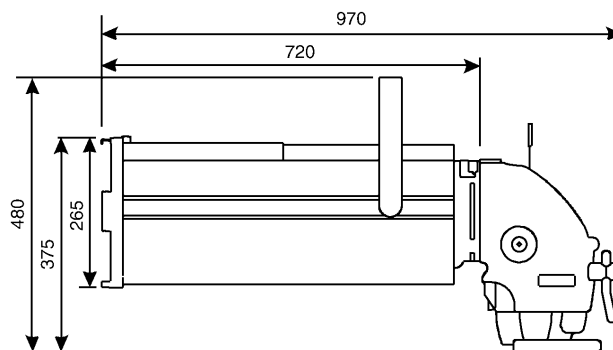
		Beam Diameter in m									
Beam angle		0	0.787	1.3109	1.9663	2.6217	3.2772	3.9326	4.588	5.2435	5.8989
Beam angle	19	0	2.008	3.3469	5.0203	6.6937	8.3671	10.041	11.714	13.387	15.061
Throw Distance	Metres	0	6	10	15	20	25	30	35	40	45
		Light Output in Lux									
Lamp											
240V GKV 600W	7.5°	Peak	9600	3456	1536	864	553	384	282	216	171
		Flat	9600	3456	1536	864	553	384	282	216	171
	19°	Peak	4650	1674	744	419	268	186	137	105	83
		Flat	1750	630	280	158	101	70	51	39	31
240V GKV 800W	7.5°	Peak	11400	4104	1824	1026	657	456	335	257	203
		Flat	11400	4104	1824	1026	657	456	335	257	203
	19°	Peak	5750	2070	920	518	331	230	169	129	102
		Flat	2760	994	442	248	159	110	81	62	49
240V BP 1000W	7.5°	Peak	11120	4003	1779	1001	641	445	327	250	198
		Flat	11120	4003	1779	1001	641	445	327	250	198
	19°	Peak	5700	2052	912	513	328	228	168	128	101
		Flat	3050	1098	488	275	176	122	90	69	54
80V 1200W	7.5°	Peak	15420	5551	2467	1388	888	617	453	347	274
		Flat	15420	5551	2467	1388	888	617	453	347	274
	19°	Peak	8050	2898	1288	725	464	322	237	181	143
		Flat	6000	2160	960	540	346	240	176	135	107
MSR 575 / 2	7.5°	Peak	51500	18540	8240	4635	2966	2060	1513	1159	916
		Flat	51500	18540	8240	4635	2966	2060	1513	1159	916
	19°	Peak	19700	7092	3152	1773	1135	788	579	443	350
		Flat	7500	2700	1200	675	432	300	220	169	133
MSR 575W HR	7.5°	Peak	42100	15156	6736	3789	2425	1684	1237	947	748
		Flat	42100	15156	6736	3789	2425	1684	1237	947	748
	19°	Peak	17700	6372	2832	1593	1020	708	520	398	315
		Flat	7500	2700	1200	675	432	300	220	169	133

Physical Data

Weight: 16.7kg

Colour frame size: 245mm square **Gobo size:** B, 65mm diameter image

Included: 1x colour frame, 1x fitted safety bond, 1x heat sink guard, 1x suspension bolt set & instruction leaflet.



Philips Selecon reserves the right to change the specifications without notice (October 2011).

PHILIPS
Selecon

Product Specification Sheet

Pacific 12°-28° Zoomspot



A base down axial profile delivering a “cool” beam of light in a beam range adjustable between 12° to 28°.

The beam is crisp “white” light with little or no distortion, ideal for pattern projection and precise beam shaping.

An energy efficient luminaire with active heat management system delivers longer life for filters, shutters etc and lower energy consumption.

Features

Produces more light than comparative beam range of traditional ellipsoidal profiles due to reflector design.

Cool light ‘white’ light. Over 80% of the heat is removed from the light beam by cold mirror and dissipated through the heat-sink.

Base down lamp mounted axially in the reflector to maximise light collection.

Choice of 600W, 800W, 1000W or 150W MH or MSR 575W lamp modules (each supplied with 1m mains cable).

Accurate, simple & cool to use, lamp peak / flat adjustment.

Two pattern / iris mounting positions.

Rotatable lens tube.

Constructed from aluminium pressure die-castings and injection moulded Fortron plastic components.

Height adjustable yoke.

Automatic disconnection of power on removal of lamp module.

Lamps: 240V

GKV600W	15,000 lumens	300 hours average life
GLB600W	13,000 lumens	1500 hours average life
800W	22,000 lumens	400 hours average life
GAD1000WBP	25,000 lumens	250 hours average life
GAB1000W BP 230V	25,000 lumens	250 hours average life

Order Codes

18PAC1228/6
Pacific 12-28 Zoomspot, 600W/800W

18PAC1228/1
Pacific 12-28 Zoomspot, 1000W

19PACGHM
Pacific gobo holder, M size

20IRIS
Pacific Iris

19PACSM1228
Lens safety mesh

20HC
Suspension hook clamp

Approvals

CE marked.

Photometric Data

Tests conducted using standard 240V production lamps manufactured by Philips.

		Beam Diameter									
Beam angle	12°, m	0	0.8	1.7	2.5	3.4	4.2	5.0	5.9	6.7	
Beam angle	28°, m	0	2.0	4.0	6.0	8.0	10.0	12.0	14.0	16.0	
Throw Distance in m		0	4	8	12	16	20	24	28	32	
Lamp		Light Output in Lux									
240V BP 1000W	12°	Peak	16200	4050	1800	1013	648	450	331	-	-
		Flat	16200	4050	1800	1013	648	450	331	-	-
240V 800W	28°	Peak	4070	1018	452	-	-	-	-	-	-
		Flat	4000	1000	444	-	-	-	-	-	-
240V GKV 600W	12°	Peak	18900	4725	2100	1181	756	525	386	-	-
		Flat	17000	4250	1889	1063	680	472	347	-	-
80V 1200W	28°	Peak	4750	1188	528	297	-	-	-	-	-
		Flat	3900	975	433	-	-	-	-	-	-
MSR 575 / 2	12°	Peak	12500	3125	1389	781	500	347	-	-	-
		Flat	11000	2750	1222	688	440	-	-	-	-
CDM-T 942 / 830 150W	28°	Peak	3180	795	353	-	-	-	-	-	-
		Flat	2300	575	256	-	-	-	-	-	-
CDM-T 942 / 830 70W	12°	Peak	26500	6625	2944	1656	1060	736	541	414	-
		Flat	26350	6588	2928	1647	1054	732	538	-	-
CST 250 HR	28°	Peak	6550	1638	728	409	-	-	-	-	-
		Flat	6250	1563	694	391	-	-	-	-	-
CDM-T 942 / 830 150W	12°	Peak	35000	8750	3889	2188	1400	972	714	547	-
		Flat	25000	6250	2778	1563	1000	694	510	391	-
CDM-T 942 / 830 70W	28°	Peak	8500	2125	944	531	340	236	-	-	-
		Flat	6000	1500	667	375	-	-	-	-	-
CST 250 HR	12°	Peak	9750	2438	1083	609	390	-	-	-	-
		Flat	9750	2438	1083	609	390	-	-	-	-
CST 250 HR	28°	Peak	2350	588	261	-	-	-	-	-	-
		Flat	2350	588	261	-	-	-	-	-	-
CST 250 HR	12°	Peak	6300	1575	700	394	-	-	-	-	-
		Flat	5400	1350	600	338	-	-	-	-	-
CST 250 HR	28°	Peak	1500	375	-	-	-	-	-	-	-
		Flat	1200	300	-	-	-	-	-	-	-
CST 250 HR	12°	Peak	12800	3200	1422	800	512	356	261	200	-
		Flat	12800	3200	1422	800	512	356	261	200	-
CST 250 HR	28°	Peak	2960	740	329	185	-	-	-	-	-
		Flat	2960	740	329	185	-	-	-	-	-

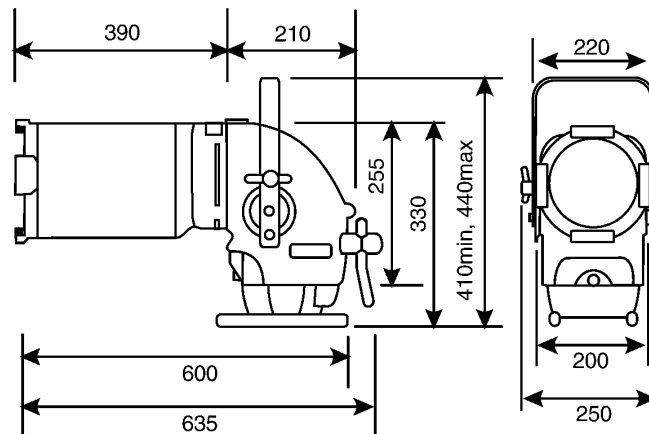
Physical Data

Weight: 9.9Kg

Carton Size: 650mm x 400mm x 260mm (estimated)

Colour frame size: 185mm square Gobo size: M, 50mm diameter image

Included: 1x colour frame, 1x fitted safety bond, 1x heat sink guard, 1x M12 suspension bolt set & instruction leaflet



Philips Selecon reserves the right to change the specifications without notice (October 2011).

PHILIPS
Selecon

Product Specification Sheet

Pacific 14°-35° Zoomspot



A base down axial profile delivering a “cool” beam of light with a beam range adjustable between 14° to 35°. The beam is a crisp “white” light with little or no distortion, ideal for pattern projection and precise beam shaping.

NOTE: It is the same physical tube as the 12°-28° with a different optical arrangement to take the B size pattern. As the gate is wider, it makes more use of the available light, therefore a little more efficient.

Features

Compact 14°-35° luminaire only 635mm long.

Cool light ‘white’ light. Over 80% of the heat is removed from the light beam by cold mirror and dissipated through the heatsink.

Base down lamp mounted axially in the reflector to maximise light collection.

Choice of 600W, 800W, 1000W or 150W MH or MSR 575W lamp modules (each supplied with 1m mains cable).

Accurate, simple & cool to use, lamp peak / flat adjustment.

Two pattern / iris mounting positions + rotatable lens tube.

Automatic disconnection of power on removal of lamp module.

Height adjustable yoke.

Lamps: 240V

GKV600W 15,000 lumens	300 hours average life
GLB600W 13,000 lumens	1500 hours average life
800W 22,000 lumens	400 hours average life
GAD1000WBP 25,000 lumens	250 hours average life
GAB1000W BP 230V 25,000 lumens	250 hours average life

Order Codes

18PAC1435/6
Pacific 14-35 Zoomspot, 600W/800W

18PAC1435/1
Pacific 14-35 Zoomspot, 1000W

18PACTUBE1435
Pacific 14-35 Zoomspot lens tube

19PACGHB
Pacific gobo holder, B size

20IRIS
Pacific iris

19PACSM1228
Lens safety mesh

20HC
Suspension hook clamp

Approvals

CE listed.

Photometric Data

Tests conducted using standard 240V production lamps manufactured by Philips.

		Beam Diameter									
Beam angle		0	1.0	2.0	2.9	3.9	4.9	5.9	6.9	7.9	
Beam angle		0	2.5	5.0	7.6	10.1	12.6	15.1	17.7	20.2	
		Light Output in Lux									
Lamp	Beam angle	0	1.0	2.0	2.9	3.9	4.9	5.9	6.9	7.9	
240V BP 1000W	14°	Peak	16200	4050	1800	1013	648	450	331	-	
		Flat	16200	4050	1800	1013	648	450	331	-	
	35°	Peak	4070	1018	452	-	-	-	-	-	
		Flat	4000	1000	444	-	-	-	-	-	
240V 800W	14°	Peak	18900	4725	2100	1181	756	525	386	-	
		Flat	17000	4250	1889	1063	680	472	347	-	
	35°	Peak	4750	1188	528	297	-	-	-	-	
		Flat	3900	975	433	-	-	-	-	-	
240V GKV 600W	14°	Peak	12500	3125	1389	781	500	347	-	-	
		Flat	11000	2750	1222	688	440	-	-	-	
	35°	Peak	3180	795	353	-	-	-	-	-	
		Flat	2300	575	256	-	-	-	-	-	
80V 1200W	14°	Peak	26500	6625	2944	1656	1060	736	541	414	
		Flat	26350	6588	2928	1647	1054	732	538	-	
	35°	Peak	6550	1638	728	409	-	-	-	-	
		Flat	6250	1563	694	391	-	-	-	-	
MSR 575 / 2	14°	Peak	35000	8750	3889	2188	1400	972	714	547	
		Flat	25000	6250	2778	1563	1000	694	510	391	
	35°	Peak	8500	2125	944	531	340	236	-	-	
		Flat	6000	1500	667	375	-	-	-	-	
CDM-T 942 / 830 150W	14°	Peak	9750	2438	1083	609	390	-	-	-	
		Flat	9750	2438	1083	609	390	-	-	-	
	35°	Peak	2350	588	261	-	-	-	-	-	
		Flat	2350	588	261	-	-	-	-	-	
CDM-T 942 / 830 70W	14°	Peak	6300	1575	700	394	-	-	-	-	
		Flat	5400	1350	600	338	-	-	-	-	
	35°	Peak	1500	375	-	-	-	-	-	-	
		Flat	1200	300	-	-	-	-	-	-	
CST 250 HR	14°	Peak	12813	3203	1424	801	513	356	261	200	
		Flat	12813	3203	1424	801	513	356	261	200	
	35°	Peak	3075	769	342	-	-	-	-	-	
		Flat	2485	621	276	-	-	-	-	-	

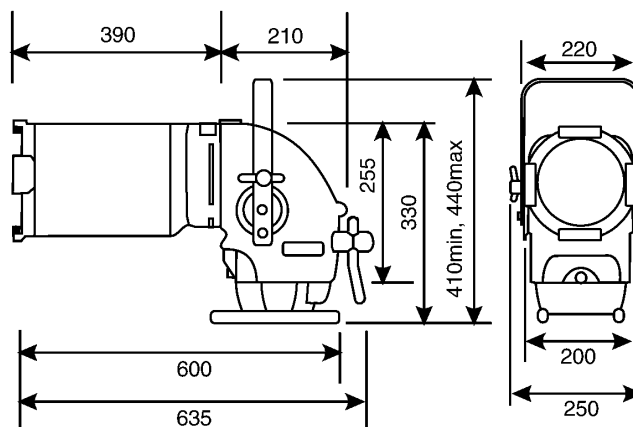
Physical Data

Weight: 9.8Kg

Carton Size: 650mm x 400mm x 260mm (estimated)

Colour frame size: 185mm square **Gobo size:** B, 65mm diameter image

Included: 1x colour frame, 1x fitted safety bond, 1x heat sink guard, 1x M12 suspension bolt set and instruction leaflet.



Philips Selecon reserves the right to change the specifications without notice (October 2011).

PHILIPS
Selecon

Product Specification Sheet

Pacific 23°-50° Zoomspot



A base down axial profile delivering a “cool” beam of light in a beam range adjustable between 23° to 50°.

The beam is a crisp “white” light with little or no distortion, ideal for pattern projection and precise beam shaping.

An energy efficient luminaire with active heat management system delivers longer life for filters, shutters etc and lower energy consumption.

Features

Produces more light than comparative beam range of traditional ellipsoidal profiles due to reflector design.

Cool light ‘white’ light. Over 80% of the heat is removed from the light beam by cold mirror and dissipated through the heat-sink.

Base down lamp mounted axially in the reflector to maximise light collection.

Choice of 600W, 800W, 1000W or 150W MH or MSR 575W lamp modules (each supplied with 1m mains cable).

Accurate, simple & cool to use, lamp peak / flat adjustment.

Two pattern / iris mounting positions + rotatable lens tube.

Constructed from aluminium pressure die-castings and injection moulded Fortron plastic components.

Height adjustable yoke.

Automatic disconnection of power on removal of lamp module.

Lamps: 240V

GKV600W	15,000 lumens	300 hours average life
GLB600W	13,000 lumens	1500 hours average life
800W	22,000 lumens	400 hours average life
GAD1000WBP	25,000 lumens	250 hours average life
GAB1000W BP 230V	25,000 lumens	250 hours average life

Order Codes

18PAC2650/6
Pacific 23-50 Zoomspot, 600W/800W

18PAC2650/1
Pacific 23-50 Zoomspot, 1000W

19PACGHA
Pacific gobo holder, ‘A’ size

20IRIS
Pacific iris

19PACSMFB
Pacific lens safety mesh

20HC
Suspension hook clamp

Approvals

CE marked.

Photometric Data

Tests conducted using standard 240V production lamps manufactured by Philips.

		Beam Diameter									
Beam angle	23 °, m	0	1.6	3.3	4.9	6.5	8.1	9.8	11.4	13.0	
Beam angle	50 °, m	0	3.7	7.5	11.2	14.9	18.7	22.4	26.1	29.8	
Throw Distance in m		0	4	8	12	16	20	24	28	32	
Lamp		Light Output in Lux									
240V BP 1000W	23°	Peak	9400	2350	1044	588	376	-	-	-	-
		Flat	6500	1625	722	406	-	-	-	-	-
	50°	Peak	2900	725	322	-	-	-	-	-	-
		Flat	1600	400	-	-	-	-	-	-	-
240V 800W	23°	Peak	12400	3100	1378	775	496	344	253	-	-
		Flat	8000	2000	889	500	320	222	-	-	-
	50°	Peak	3700	925	411	231	-	-	-	-	-
		Flat	1600	400	-	-	-	-	-	-	-
240V GKV 600W	23°	Peak	8000	2000	889	500	320	222	-	-	-
		Flat	5400	1350	600	338	216	-	-	-	-
	50°	Peak	2300	575	256	-	-	-	-	-	-
		Flat	1200	300	-	-	-	-	-	-	-
80V 1200W	23°	Peak	17450	4363	1939	1091	698	485	356	-	-
		Flat	10500	2625	1167	656	420	-	-	-	-
	50°	Peak	5150	1288	572	322	-	-	-	-	-
		Flat	2700	675	300	-	-	-	-	-	-
MSR 575 / 2	23°	Peak	23500	5875	2611	1469	940	653	480	367	-
		Flat	11000	2750	1222	688	440	306	-	-	-
	50°	Peak	6300	1575	700	394	-	-	-	-	-
		Flat	3350	838	372	-	-	-	-	-	-
CDM-T 942 / 830 150W	23°	Peak	7000	1750	778	438	280	194	143	-	-
		Flat	5300	1325	589	331	212	-	-	-	-
	50°	Peak	2000	500	222	-	-	-	-	-	-
		Flat	1300	325	144	-	-	-	-	-	-
CDM-T 942 / 830 70W	23°	Peak	4300	1075	478	269	-	-	-	-	-
		Flat	2500	625	278	-	-	-	-	-	-
	50°	Peak	1200	300	-	-	-	-	-	-	-
		Flat	630	158	-	-	-	-	-	-	-
CST 250 HR	23°	Peak	7245	1811	805	453	290	201	148	-	-
		Flat	7125	1781	792	445	285	198	145	-	-
	50°	Peak	2200	550	244	138	-	-	-	-	-
		Flat	1375	344	153	-	-	-	-	-	-

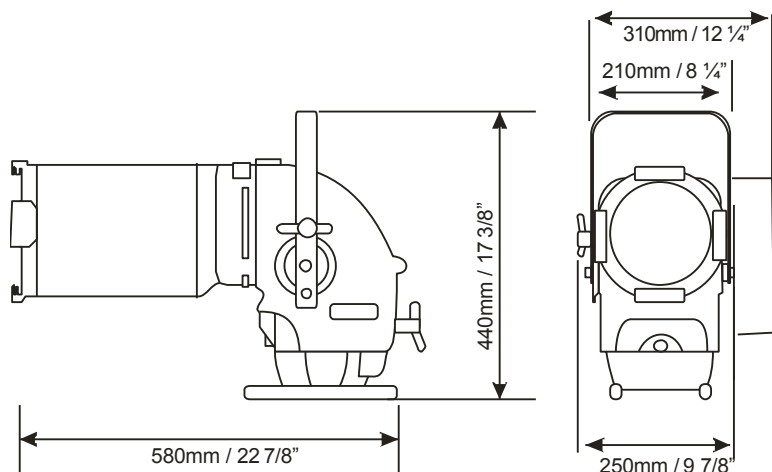
Physical Data

Weight: 8.7kg

Carton size: 650mm x 400mm x 260mm (estimated)

Colour frame size: 158mm x 158mm **Gobo size:** A, 75mm diameter image

Included: 1x colour frame, 1x fitted safety bond, 1x heat sink guard, 1x M12 suspension bolt set and instruction leaflet.



Philips Selecon reserves the right to change the specifications without notice (October 2011).

PHILIPS
Selecon

Product Specification Sheet

Pacific 45°-75° Zoomspot



A base down axial profile delivering a “cool” beam of light in a beam range adjustable between 45° to 75°.

The beam is crisp “white” light with little or no distortion in the range of 45°-65°, ideal for pattern projection and precise beam shaping.

An energy efficient luminaire with active heat management system delivers longer life for filters, shutters etc and lower energy consumption.

Features

A super wide Zoom range, ideal for onstage applications; pattern projection for entertainment and architectural applications.

Cool light ‘white’ light. Over 80% of the heat is removed from the light beam by cold mirror and dissipated through the heat-sink.

Base down lamp mounted axially in the reflector to maximise light collection.

Choice of 600W, 800W, 1000W or 150W MH or MSR 575W lamp modules (each supplied with 1m mains cable).

Constructed from aluminium pressure die castings and injection moulded Fortron plastic components

Accurate, simple & cool to use, lamp peak / flat adjustment.

Two pattern / iris mounting positions + rotatable lens tube.

Height adjustable yoke.

Automatic disconnection of power on removal of lamp module.

Lamps: 240V

GKV600W	15,000 lumens	300 hours average life
GLB600W	13,000 lumens	1500 hours average life
800W	22,000 lumens	400 hours average life
GAD1000WBP	25,000 lumens	250 hours average life
GAB1000W BP 230V	25,000 lumens	250 hours average life

Order Codes

18PAC4575/6
Pacific 45-75 Zoomspot, 600W/800W

18PAC4575/1
Pacific 45-75 Zoomspot, 1000W

18PACTUBE4575
Pacific 45-75 lens tube

19PACGHA
Pacific gobo holder, A size

20IRIS
Pacific iris

19PACSM1228
Lens safety mesh

20HC
Suspension hook clamp

Approvals

CE marked.

Photometric Data

Tests conducted using standard 240V production lamps manufactured by Philips.

		Beam Diameter									
Beam angle		45 °, m	0	3.3	5.0	6.6	8.3	9.9	11.6	13.3	14.9
Beam angle		75 °, m	0	6.1	9.2	12.3	15.3	18.4	21.5	24.6	27.6
Throw Distance in m			0	4	6	8	10	12	14	16	18
Lamp		Light Output in Lux									
240V BP 1000W	45°	Peak	2130	947	533	341	237	174	133	105	
		Flat	2070	920	518	331	230	169	129	102	
240V 800W	75°	Peak	1000	444	250	160	111	82	-	-	
		Flat	900	400	225	144	100	73	-	-	
240V GKV 600W	45°	Peak	2460	1093	615	394	273	201	154	121	
		Flat	1750	778	438	280	194	143	109	86	
240V GKV 600W	75°	Peak	1060	471	265	170	118	87	66	52	
		Flat	640	284	160	102	71	-	-	-	
80V 1200W	45°	Peak	1850	822	463	296	206	151	116	91	
		Flat	1300	578	325	208	144	106	81	-	
80V 1200W	75°	Peak	815	362	204	130	91	-	-	-	
		Flat	700	311	175	112	78	-	-	-	
MSR 575 / 2	45°	Peak	3520	1564	880	563	391	287	220	174	
		Flat	3300	1467	825	528	367	269	206	163	
MSR 575 / 2	75°	Peak	1500	667	375	240	167	122	94	-	
		Flat	1100	489	275	176	122	90	-	-	
CDM-T -150-830/942	45°	Peak	7200	3200	1800	1152	800	588	450	356	
		Flat	4100	1822	1025	656	456	335	256	202	
CDM-T -150-830/942	75°	Peak	3300	1467	825	528	367	269	206	163	
		Flat	1950	867	488	312	217	159	122	96	
CDM-SAT-150-942	45°	Peak	1470	653	368	235	163	120	92	73	
		Flat	1150	511	288	184	128	94	-	-	
CDM-SAT-150-942	75°	Peak	655	291	164	105	73	-	-	-	
		Flat	485	216	121	78	-	-	-	-	
CST 250 HR	45°	Peak	2600	1156	650	416	289	212	163	128	
		Flat	1400	622	350	224	156	114	88	-	
CST 250 HR	75°	Peak	1120	498	280	179	124	91	-	-	
		Flat	700	311	175	112	78	-	-	-	
CST 250 HR	45°	Peak	1973	877	493	316	219	161	123	-	
		Flat	1973	877	493	316	219	161	123	-	
CST 250 HR	75°	Peak	800	356	200	128	89	-	-	-	
		Flat	600	267	150	96	-	-	-	-	

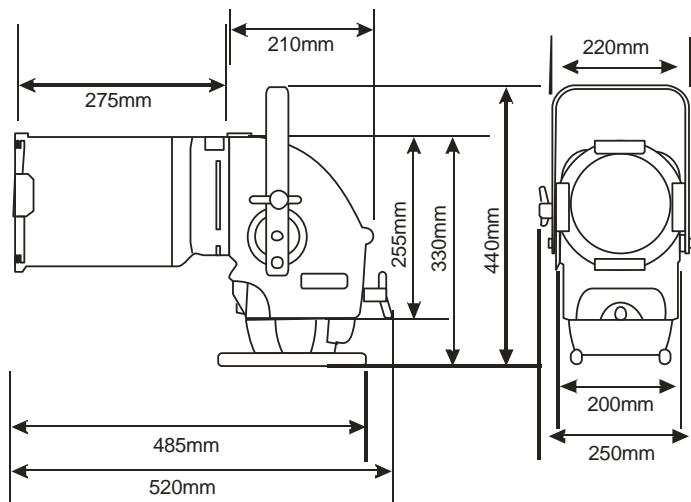
Physical Data

Weight: 9.4 Kg

Carton Size: 650mm x 400mm x 260mm (estimated)

Colour frame size: 185mm square **Gobo size:** A, 75mm diameter image

Included: 1x colour frame, 1x fitted safety bond, 1x heat sink guard, 1x M12 suspension bolt set and instruction leaflet.



Philips Selecon reserves the right to change the specifications without notice (October 2011).

PHILIPS
Selecon

Product Specification Sheet

Pacific 90° Fixed Beam



A base axial profile delivering a “cool” beam of light in a fixed beam of 90°.

An energy efficient luminaire with active heat management system delivers longer life for filters, shutters and lower energy consumption.

Features

A unique new super wide 90° fixed beam profile with a high light output due to its unique reflector design.

Cool light ‘white’ light. Over 80% of the heat is removed from the light beam by cold mirror and dissipated through the heat-sink.

Base down lamp mounted axially in the reflector to maximise light collection.

Choice of 600W, 800W, 1000W or 150W MH or MSR 575W lamp modules (each supplied with 1m mains cable).

Accurate, simple & cool to use, lamp peak / flat adjustment.

Two pattern / iris mounting positions / Rotatable lens tube.

Constructed from aluminium pressure die-castings and injection moulded Fortron plastic components.

Automatic disconnection of power on removal of lamp module.

Height adjustable yoke.

Lamps: 240V

GKV600W	15,000 lumens	300 hours average life
GLB600W	13,000 lumens	1500 hours average life
800W	22,000 lumens	400 hours average life
GAD1000WBP	25,000 lumens	250 hours average life
GAB1000W BP 230V	25,000 lumens	250 hours average life

Order Codes

18PAC90/6
Pacific 90° Fixed Beam, 600W, 800W

18PAC90/1
Pacific 90° Fixed Beam, 1000W

18PAC90/CDM
Pacific 90° Fixed Beam CDM -150W

18PACL90
Pacific 90° Super Wide lens tube only

19PACGHA
Pacific gobo holder, ‘A’ size

20IRIS
Pacific iris

19PACSM1228
Lens safety mesh

20HC
Suspension hook clamp

Approvals

CE marked

Photometric Data

Tests conducted using standard 240V production lamps manufactured by Philips.

Beam angle	90 °, m	Beam Diameter								
		0	4	8	12	16	20	24	28	32
Throw Distance in m		Light Output in Lux								
Lamp		0	2	4	6	8	10	12	14	16
240VBP 1000W	90° Peak	4360	1090	484	273	174	-	-	-	-
	Flat	3960	990	440	248	158	-	-	-	-
240V 800W	90° Peak	4680	1170	520	293	187	-	-	-	-
	Flat	3200	800	356	200	128	-	-	-	-
240V GKV 600W	90° Peak	3200	800	356	200	128	-	-	-	-
	Flat	1680	420	187	105	67	-	-	-	-
80V 1200W	90° Peak	6400	1600	711	400	256	178	-	-	-
	Flat	3440	860	382	215	138	-	-	-	-
MSR 575 / 2	90° Peak	8400	2100	933	525	336	233	171	-	-
	Flat	4400	1100	489	275	176	-	-	-	-
CDM-T 942 / 830 150W	90° Peak	2480	620	276	155	-	-	-	-	-
	Flat	1440	360	160	-	-	-	-	-	-
CDM-T 942 / 830 70W	90° Peak	1520	380	169	-	-	-	-	-	-
	Flat	800	200	-	-	-	-	-	-	-
CST 250 HR	90° Peak	2952	738	328	185	-	-	-	-	-
	Flat	2952	738	328	185	-	-	-	-	-

Physical Data

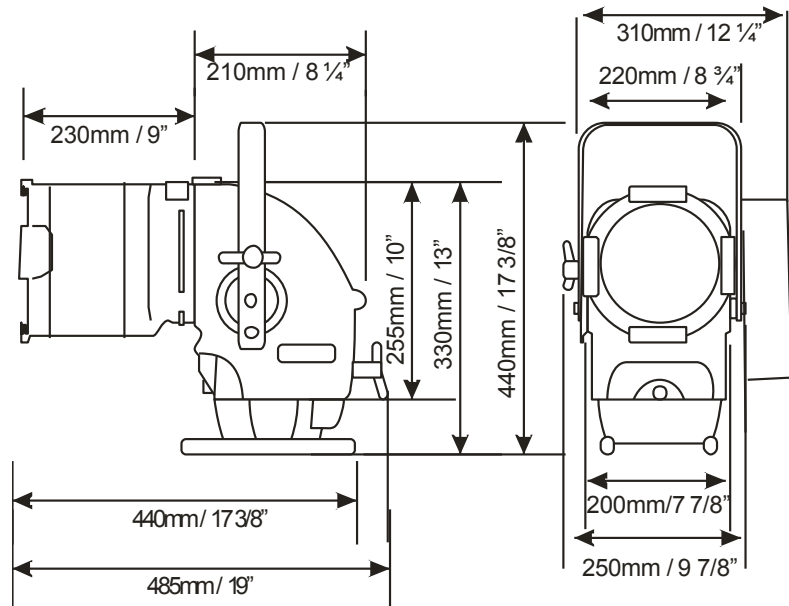
Weight: 9.1Kg

Carton Size: 650mm x 425mm x 300mm

Colour frame size: 185mm square

Gobo size: A, 75mm diameter image

Included: 1x colour frame, 1x fitted safety bond, 1x heat sink guard, 1x M12 suspension bolt set and instruction leaflet.



Philips Selecon reserves the right to change the specifications without notice (October 2011).

PHILIPS
Selecon