

XPar 360

PR-8955



XPar 360 belongs to XPar indoor LED lighting series, with 60pcs OSRAM LEDs(GBWA), high output efficiency, non-radiation and low power-consumption. This product features smooth color mixing plus macro, wide color temperature vary from 3200K to 10000K, fast strobe, very light weight and small sizes , It is ideal for a lot of applications such as the TV studio, concert, banquet hall, and so on.

Key Features:

- Power consumption: 200W@220V
- Light source: 60x3W LEDs(17R+17G+17B+6W+3A)
- Color system: RGBWA linear color mixing with macro
- Color temperature: linear correction 3200K~10000K
- Field angle: 28°
- Beam angle: 15°
- Lens angle: 15°(Optional 8°, 25°, 45°)
- Dimmer: 0-100% linearly adjustable
- Strobe: electronic strobe 0~25F.P.S
- Control: 8 channels in short mode;12 channels in standard mode and 16 channels in extended mode
- Weight: 3.9 Kg

Standard Accessories:

G clamps, 1 pc; 3-pin XLR connectors, 1 set; Safety cord: 1pc

Optional Accessories:

Barn door, 1 set; Signal cable: 1 pc



PR LIGHTING LTD.

Technical Data:

XPar 360

PR-8955

Power Supply: 200~240VAC, 50/60Hz Optional:
100V/120V AC, 50/60Hz

Power Consumption:200W@220V

Light Source:

60x3W LEDs(17R+17G+17B+6W+3A), life: 50,000 hours

Optics System:

Field Angle: (1/10 Maximum) Φ 28°

Beam Angle: (1/2 Maximum) Φ 1/2 15°

Lens Angle: 15° (Optional 8°, 25°, 45°)

Color System:

RGBWA linear color mixing with Macro
Linear color temperature correction from 3200K to 10000K

Effect:

Dimmer: 0-100% linearly adjustable
Strobe: Electronic strobe,0~25 F.P.S

Control and Programming:

Control: DMX512, 3-pin interface, self-test mode,
Master/Slave Synchronous control mode

Channels: Short Mode:8, Standard Mode:12, Extended
Mode:16

16 preset memories; 16 user memories; preset
memories and user memories can be called by control
channels, 16 degree speeds adjustable

Physical Features:

Housing: High temperature ABS +die-casting aluminum,
IP20

Weight: 3.9Kg

Ambient Working Temperature: -20°C~40°C

Other Functions:

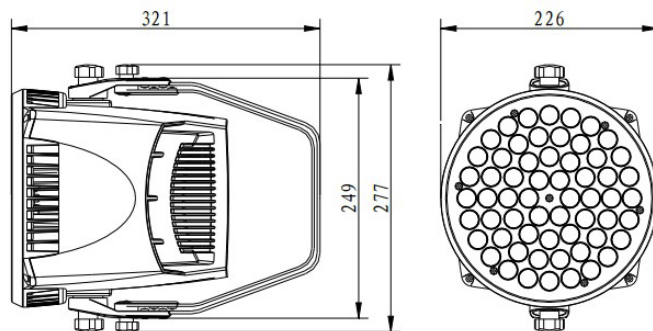
LED board temperature display
Fixture usage time display
Parameters about DMX mode,
Display setting status, operation mode can be
transmitted by synchronous control.

Package Dimensions:

Standard/Optional: 485x338x320(mm) / 1145x545x420
(mm)

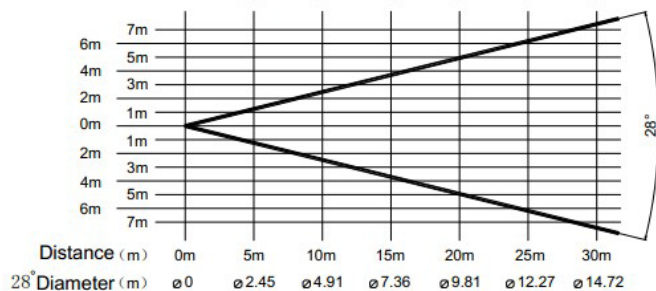
Packed Quantity: 1PC/Carton or 6pcs/Flight case

Sizes: (L: 226mm W: 277mm H: 321mm (head in vertical
direction))



Light Output:

28°lux (RGBWA)	1775	444	197	111	71	49
28°lux (R)	309	77	34	19	12	9
28°lux (G)	777	194	86	49	31	22
28°lux (B)	26	6	3	2	1	1
28°lux (W)	722	181	80	45	29	20
28°lux (A)	124	31	14	8	5	3



Distributed by



www.jands.com.au



PR LIGHTING LTD.

Since 1984

Address: 1582 Xingye Avenue, Nancun, Panyu,
Guangzhou, 511442, China
Tel: +86-20-3995 2379 Fax: +86-20-3995 2330
Email: info@pr-lighting.net

All rights reserved by PR Lighting.
All specifications are subject to change without notice.

Specification Sheet