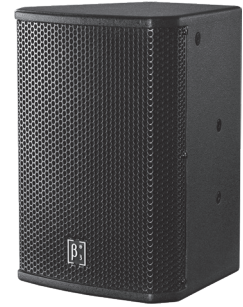


Product Description:

Portable and installed PA loudspeakers used in applications including sound reinforcement in Houses of Worship, Events, Clubs, Rehearsal Halls and Ballrooms etc. The MU Active Series delivers extraordinary performance at unmatched value.

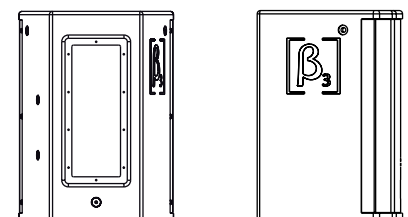
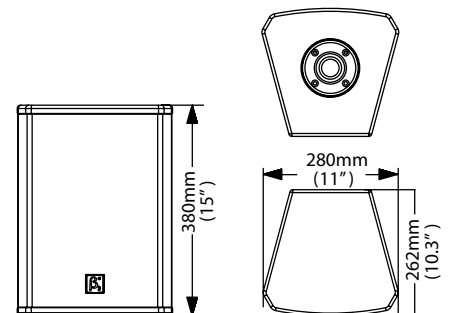
Key Features and Benefits:

- High output SPL and sensitivity
- 1 x 8" high power Neodymium transducer with 34mm voice coil
- 1 x 1.4" titanium diaphragm compression driver with Neodymium coaxial design
- 90° x 90° controlled coverage pattern
- Built-in power amplifier module
- Master volume control
- XLR input and output connectors
- 120Hz low cut switch
- Computer aided design to optimise frequency and phase response
- Cabinet design for FOH use
- Suitable for use as a main system with or without sub speaker augmentation
- Portable system (stand), or permanent installation (wall, ceiling, under balcony)
- Arrays with MU12Ba active high power sub speaker for extended low frequency, high quality music reproduction
- Powder coated grill with foam backing
- Durable Polyurethane textured base paint



System Specifications:

Construction	15mm Birch Plywood
Transducers	1 x 1.4" HF + 1 x 8" LF
Frequency Response (-3dB)	80Hz-20kHz
Rated Power	140W (RMS)
Amplifier Type	Class H
Sensitivity (1W @ 1m)	94dB
Maximum SPL (1W @ 1m)	113dB/119dB (Peak)
Input Impedance	Balanced 20kΩ, Unbalanced 10kΩ
Rated Impedance	8Ω
Dispersion (H x V)	90° x 90°
Connector	1 x Combo 6.35/XLR Input, 1 x XLR Output
Power Supply	110V/220V
Dimensions (W x D x H)	280mm (11") x 262mm (10.3") x 380mm (15")
Packaging Dimensions (1 piece/pack)	340mm (13.4") x 320mm (15.6") x 460mm (18.1")
Net Weight (1 piece/pack)	9.5kg (20.9lb)
Gross Weight (1 piece/pack)	10.5kg (23.1lb)



Product Description:

Portable and installed PA loudspeakers used in applications including sound reinforcement in Houses of Worship, Events, Clubs, Rehearsal Halls and Ballrooms etc. The MU Active Series delivers extraordinary performance at unmatched value.

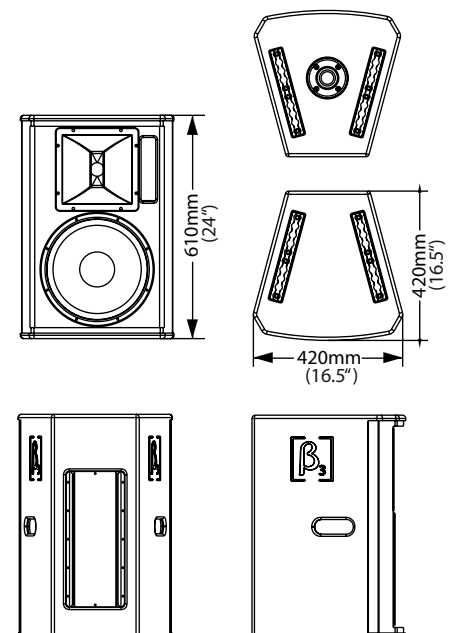
Key Features and Benefits:

- High output SPL and sensitivity
- 1 x 12" high power transducer with 75mm voice coil
- 1 x 3" compression driver
- 60° x 40° coverage pattern
- Built-in power amplifier module
- Master volume control
- XLR input and output connectors
- Input and output connectors
- 120Hz low cut switch
- Computer aided design to optimise frequency and phase response
- Cabinet design for FOH use
- Suitable for use as a main system with or without sub speaker augmentation
- Portable system (stand), or permanent installation (wall, ceiling, under balcony)
- Adjustable flying track on the top and bottom of the speaker
- Arrays with MU12B, MU12Ba, MU18B and MU18Ba high power sub speakers for extended low frequency, high quality music reproduction
- Powder coated grill with foam backing
- Durable Polyurethane textured base paint



System Specifications:

Construction	15mm Birch Plywood
Transducers	1 x 3" HF Compression Driver + 1 x 12" LF
Crossover	1.8kHz
Frequency Response (-3dB)	55Hz-16kHz
Rated Power	LF 300W, HF 50W (RMS)
Amplifier Type	Class H
Sensitivity (1W @ 1m)	97dB
Maximum SPL (1W @ 1m)	121dB/127dB (Peak)
Input Impedance	Balanced 20kΩ, Unbalanced 10kΩ
Rated Impedance	8Ω
Dispersion (H x V)	60° x 40°
Connector	2 x XLR
Power Supply	110V/220V
Dimensions (W x D x H)	420mm (16.5") x 420mm (16.5") x 610mm (24")
Packaging Dimensions (1 piece/pack)	530mm (20.8") x 530mm (20.8") x 730mm (28.7")
Net Weight (1 piece/pack)	29kg (63.8lb)
Gross Weight (1 piece/pack)	31kg (68.2lb)



Product Description:

Portable and installed PA loudspeakers used in applications including sound reinforcement in Houses of Worship, Events, Clubs, Rehearsal Halls and Ballrooms etc. The MU Active Series delivers extraordinary performance at unmatched value.

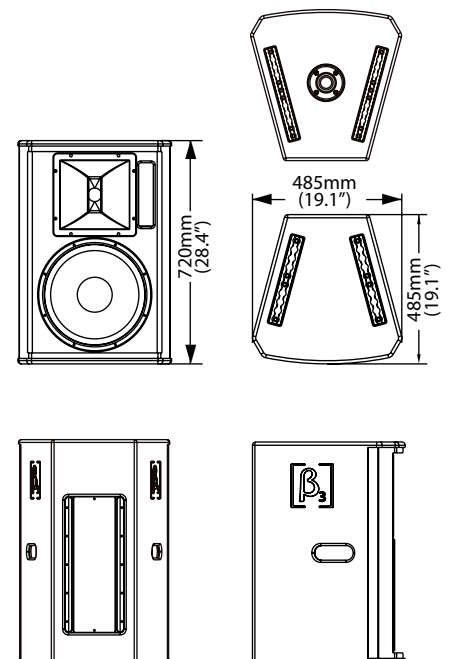
Key Features and Benefits:

- High output SPL and sensitivity
- 1 x 15" high power Neodymium transducer with 75mm voice coil
- 1 x 3" compression driver
- 90° x 40° coverage pattern
- Built-in power amplifier module
- Master volume control
- XLR input and output connectors
- 120Hz low cut switch
- Computer aided design to optimise frequency and phase response
- Cabinet design for FOH use
- Suitable for use as a main system with or without sub speaker augmentation
- Portable system (stand), or permanent installation (wall, ceiling, under balcony)
- Adjustable flying track on the top and bottom of the speaker
- Arrays with MU12B, MU12Ba, MU18B and MU18Ba high power sub speakers for extended low frequency, high quality music reproduction
- Powder coated grill with foam backing
- Durable Polyurethane textured base paint



System Specifications:

Construction	15mm Birch Plywood
Transducers	1 x 3" HF Compression + 1 x 15" LF
Frequency Response (-3dB)	45Hz-16kHz
Rated Power	50W HF, 300W LF (RMS)
Amplifier Type	Class H
Sensitivity (1W @ 1m)	98dB
Maximum SPL (1W @ 1m)	121dB/127dB (Peak)
Input Impedance	Balanced 20kΩ, Unbalanced 10kΩ
Rated Impedance	8Ω
Dispersion (H x V)	60° x 40°
Connector	2 x XLR
Power Supply	110V/220V
Dimensions (W x D x H)	485mm (19.1") x 485mm (19.1") x 720mm (28.4")
Packaging Dimensions (1 piece/pack)	595mm (23.4") x 595mm (23.4") x 840mm (33.1")
Net Weight (1 piece/pack)	32.5kg (71.7lb)
Gross Weight (1 piece/pack)	37.5kg (82.7lb)



Product Description:

Portable and installed PA loudspeakers used in applications including sound reinforcement in Houses of Worship, Events, Clubs, Rehearsal Halls and Ballrooms etc. The MU Active Series delivers extraordinary performance at unmatched value.

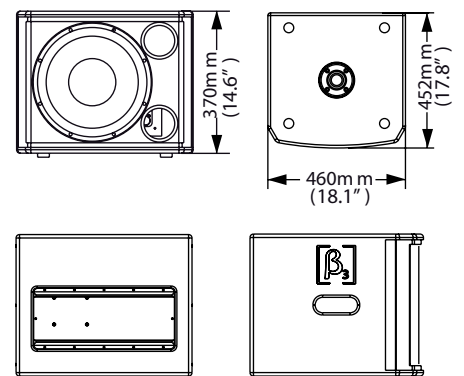
Key Features and Benefits:

- High output SPL and sensitivity
- 1 x 12" high power low frequency transducer with 75mm voice coil
- Sensitivity 92dB, max SPL 123dB
- RMS 300W, peak 1200W
- Built-in power amplifier module
- Master volume control
- XLR input and output connectors
- Built in variable crossover 80Hz-250Hz high cut
- Phase switch
- Computer aided design to optimise frequency and phase response
- Cabinet designed for FOH use
- Suitable for use with any full range or mid/high speaker cabinets for extended low frequency, high quality music reproduction
- Integral 35mm pole receptacle for mounting full range or mid/high speaker cabinet
- Powder coated grill with foam backing
- Durable Polyurethane textured base paint



System Specifications:

Construction	15mm Birch Plywood
Transducers	1 x 12" LF
Frequency Response (-3dB)	40Hz-250Hz
Rated Power	300W (RMS), 600W (Program), 1200W (Peak)
Amplifier Type	Class H
Sensitivity (1W @ 1m)	92dB
Maximum SPL (1W @ 1m)	118dB/124dB (Peak)
Rated Impedance	4Ω
Connector	1 x Combo 6.35/XLR Input, 1 x XLR Output
Power Supply	110V/220V
Dimensions (W x D x H)	460mm (18.1") x 452mm (17.8") x 370mm (14.6")
Packaging Dimensions (1 piece/pack)	550mm (21.7") x 550mm (21.7") x 470mm (18.5")
Net Weight (1 piece/pack)	22.5kg (49.5lb)
Gross Weight (1 piece/pack)	24.5kg (53.9lb)



Product Description:

Portable and installed PA loudspeakers used in applications including sound reinforcement in Houses of Worship, Events, Clubs, Rehearsal Halls and Ballrooms etc. The MU Active Series delivers extraordinary performance at unmatched value.

Key Features and Benefits:

- High output SPL and sensitivity
- 1 x 18" high power low frequency transducer with 100mm voice coil
- Sensitivity 97dB, max SPL 124dB
- RMS 500W, peak 2000W
- Built-in power amplifier module
- Master volume control
- XLR input and output connectors
- Built in variable crossover 80Hz-250Hz high cut
- Phase switch
- Computer aided design to optimise frequency and phase response
- Cabinet designed for FOH use
- Suitable for use with any full range or mid/high speaker cabinets for extended low frequency, high quality music reproduction
- Integral 35mm pole receptacle for mounting full range or mid/high speaker cabinet
- Powder coated grill with foam backing
- Durable Polyurethane textured base paint



System Specifications:

Construction	18mm Birch Plywood
Transducers	1 x 18" LF
Frequency Response (-3dB)	40Hz-300Hz
Rated Power	500W (RMS), 1000W (Program), 2000W (Peak)
Amplifier Type	Class H
Sensitivity (1W @ 1m)	97dB
Maximum SPL (1W @ 1m)	124dB/130dB (Peak)
Rated Impedance	4Ω
Connector	1 x Combo 6.35/XLR Input, 1 x XLR Output
Power Supply	110V/220V
Dimensions (W x D x H)	600mm (23.6") x 640mm (25.2") x 550mm (21.7")
Packaging Dimensions (1 piece/pack)	750mm (29.5") x 710mm (28") x 670mm (26.4")
Net Weight (1 piece/pack)	43kg (94lb)
Gross Weight (1 piece/pack)	49kg (108lb)

