

The background of the advertisement is a dark, almost black, space. Several bright blue beams of light, resembling spotlights or stage lights, are directed towards the center. One prominent beam enters from the top left and points towards the bottom right, passing through the text box. Other beams are visible in the upper left and lower right areas, creating a sense of depth and dynamic lighting. The overall aesthetic is modern and professional, typical of event lighting services.

EVENT LIGHTING

www.event-lighting.com.au

Company Profile

Event Lighting was established in 2013 to bring high quality products and great support without compromising the affordability of lighting gear in Australia. We started off with humble beginnings with the launch of our laser and LED range and have grown from there.

Now, in 2015 we have moved to a new warehouse located in Clyde, NSW and have introduced a full range of moving heads which include beams, spots and washes. We have also introduced a small range of hook clamps and accessories, and most notably have been recently appointed as a distributor for Antari which complements our range perfectly. Today we are seen by our customers as a reliable and no nonsense supplier in the industry, driven by our passion for entertainment lighting.

Catalogue Volume 3

Contents

Moving Head	3
LED Series	23
Laser Series	47
Roadcases	54
Accessories	55
Antari	56





Why only have only 7 colours from 1 wheel or a selection of a few colours from 2 wheels when you can have full RGBW control? The 100W of RGBW LED complete with 8 bit dimming control per colour will provide a palette with limitless options and unparalleled precision. Featuring an indexable, replaceable and rotating gobo wheel and a fixed gobo wheel, multiple prisms and frost, iris, electronically controlled focus and all standard features including battery powered menu, RDM, DMX upgradable, large flippable LCD and an automatic temperature controlled fan, this unit will ensure fantastic results every time!

Details

Input Voltages: 100V~240V AC, 50/60Hz

Power Consumption: 180W

Light source: advanced 100W RGBW LED module

Power Connection: Neutrik® Powercon input and output connection

LED life: 60,000 hours

Lux: 8500 lumen, 7780 lux RGBW full on @2.5M

Beam angle: 13°

PWM: 1,200Hz

Colors: full color

Gobos: 1pc 7 + open fixed gobo wheel, 1pc 7 + open interchangeable rotating gobo wheel (outside Ø27mm, inside Ø22mm)

Effect: 3 facets, 8 facets prism, frost, fast speed iris

Dimmer: 0-100% dimmer

Strobe: 0.5 - 26 Hz

Focus: linearly focusing controlled by DMX

Head movement: Pan: 630°(4.0 sec) or 540°(3.58 sec), Tilt 265°(2.8 sec). 16-bit resolution, auto repositioning

Control: DMX512, 3-pin XLR interfaces, 26/33/17/18 channel mode

Other function: wireless DMX is available

2.4 inch colour LCD display with back-up power.

Thermostat Controlled, variable speed fan

RDM and software upgrade via DMX.

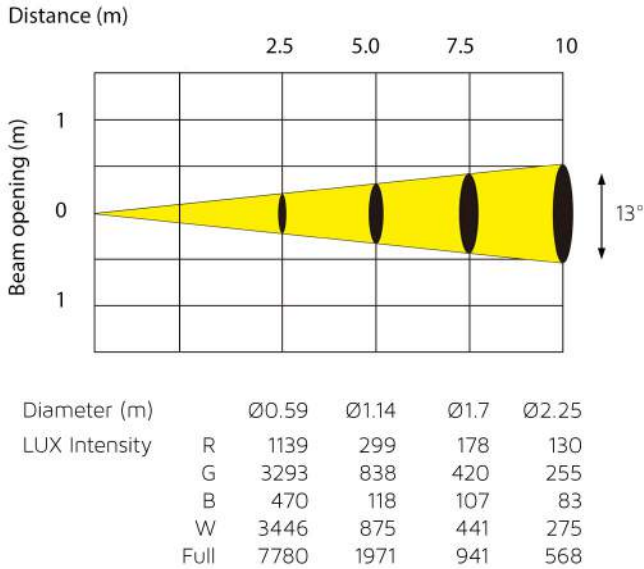
Net weight: 13Kg

Overall Size: 343x262x456mm

Rigging: 1pc omega brackets with 1/4 – turn quick locks

Road case available

Photometric Data



Static & Rotating Gobos

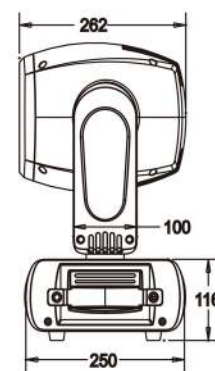
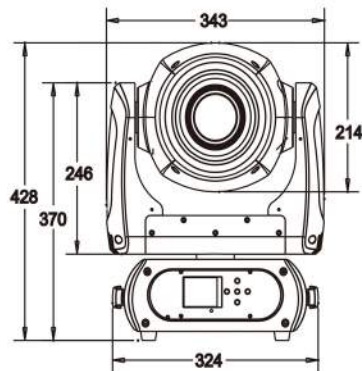
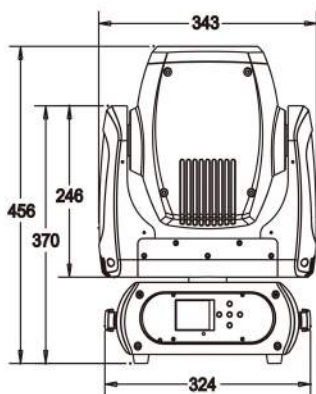
Static gobos



Rotating gobos



Dimensional Diagrams



DMX Chart

CH1	Pan	0 → 630/540°
CH2	Tilt	0 → 265°
CH3	Speed	0 → Pan/Tilt → 255
CH4	Shutter Function	Normal Pulse Random
CH5	Shutter	Open Slow Fast
CH6	Dimmer	0 255
CH7	Color Function	Slow Fa
CH8	Color 1	(3200k 4200k 5600k 8000k) 0 → 2st
CH9	Color 2	5
CH10	Red	0->100%
CH11	Green	0->100%
CH12	Blue	0->100%
CH13	White	0->100%
CH14	Rot Gobo Function	
CH15	Rotating Gobo	
CH16	GoboRot Function	
CH17	Gobo Rot	0 → 250
CH18	Gobo Function	
CH19	Static Gobo	
CH20	Prism	
CH21	Prism Rot	0 → 127 (128) → 255
CH22	Focus Function	0 255 (5, 7.5, 10, 15, 20) m
CH23	Focus	
CH24	Iris Function	0 255
CH25	Iris	0 255
CH26	Control	(Pan&Tit. Color. Gobo. Other) Reset All Display off/on Hibernation



Despite its smaller form factor, the unit includes features only found in top end models of spot heads in the market, including an indexable, replaceable and rotating gobo wheel, colour wheel, rotating 3 facet prisms, electronically controlled focus, battery powered menu, RDM, DMX upgradable, large flippable LCD and an automatic temperature controlled fan.

Details

Input Voltages: 100V~240V AC, 50/60Hz

Power Consumption: 160W

Light source: advanced 75W white LED module

Power Connection: Neutrik® Powercon input and output connection

LED life: 60,000 hours

Lux: 6400 lumen, 9530 lux on @2.5M at 11°, 4723 lux on @2.5M at 16°

Beam angle: 11°to 16°

PWM: 1,200Hz

Colors: 1 colour wheel with 8 colors + open

Gobos: 1pc 7 + open interchangeable rotating gobo wheel (outside Ø23mm, inside Ø18mm).

Effect: 3 facets prism

Dimmer: 0-100% dimmer

Strobe: 0.5 - 26 Hz

Focus: linearly focusing controlled by DMX

Zoom: manual zoom from 11°to 16°

Head movement: Pan: 630°(4.0 sec)or 540°(3.58 sec), Tilt 265°(2.8 sec).16-bit resolution, auto repositioning

Control: DMX512, 3-pin XLR interfaces, 15/18/11/13 channel mode

Other function: wireless DMX is available

2.4 inch colour LCD display with back-up power.

Thermostat Controlled, variable speed fan

RDM and software upgrade via DMX.

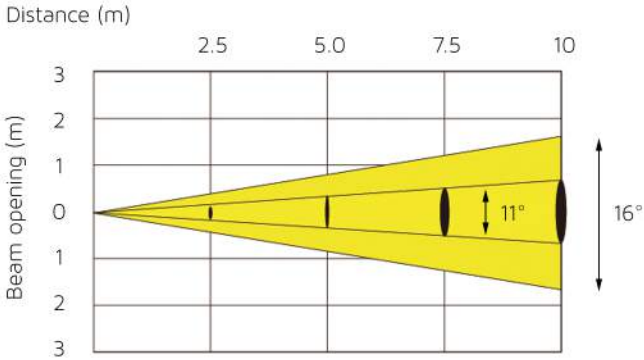
Net weight: 10Kg

Overall Size: 299x252x413mm

Rigging: 1pc omega brackets with 1/4 – turn quick locks

Road case available

Photometric Data



Distance (m)	2.5	5.0	7.5	10
Diameter (m)	Ø0.48	Ø0.88	Ø1.33	Ø1.79
LUX Intensity	9530	2765	1250	760
Diameter (m)	Ø0.72	Ø1.38	Ø2.06	Ø2.81
LUX Intensity	4723	1280	632	393

DMX Chart

CH1	Pan	0 → 630°
CH2	Tilt	0 → 265°
CH3	Speed	0 → Pan/Tilt Speed → 255
CH4	Shutter Function	Normal <input type="radio"/> Pulse <input type="radio"/> Random <input type="radio"/>
CH5	Shutter	Open <input type="radio"/> Slow <input type="radio"/> Fast <input type="radio"/>
CH6	Dimmer	0 255
CH7	Color Function	Slow Fast
CH8	Color	
CH9	Rot Gobo Function	
CH10	Rot Gobo	0 → 250 0 → 255
CH11	Rotating Gobo	
CH12	GoboRot Function	
CH13	Prism Rot	0 → 127 128 → 255
CH14	Focus	
CH15	Control	(Pan&Tit. Color. Gobo. Other) Reset All Display off/on Hibernation

Colours, Static & Rotating Gobos

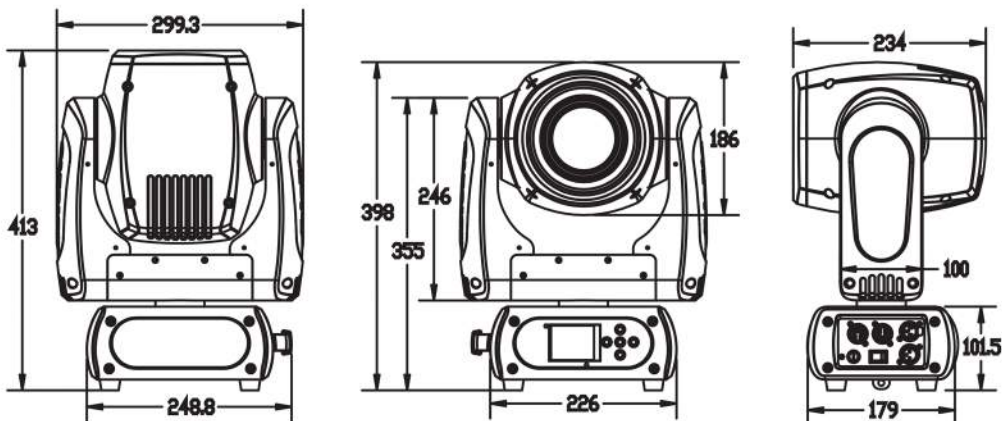
Colour wheel



Rotating gobos



Dimensional Diagrams





Don't be fooled by numbers thinking that a 300W LED is brighter than the 150W LED in this unit. In most cases, it is actually brighter than other 300W LED movers in the market today, with an output comparable to a typical 575W discharge mover. With industry features including an indexable, replaceable and rotating gobo wheel as well as a fixed gobo wheel, colour wheel, multiple prisms and frost, iris, electronically controlled focus amongst battery powered menu, RDM, DMX upgradable, large flippable LCD and an automatic temperature controlled fan, there is certainly more to be seen with this spot head.

Details

Input Voltages: 100V~240V AC, 50/60Hz

Power Consumption: 250W

Light source: advanced 150W white LED module

Power Connection: Neutrik® Powercon input and output connection

LED life: 60,000 hours

Lux: 10985 lumen, 21385lux on @2.5M

Beam angle: 14°

PWM: 1,200Hz

Colors: 1 color wheel with 8 colors + open

Gobos: 1pc 7 + open fixed gobo wheel, 1pc 7 + open interchangeable rotating gobo wheel (outside Ø27mm, inside Ø22mm).

Effect: 3 facets, 8 facets prism, frost, fast speed iris

Dimmer: 0-100% dimmer

Strobe: 0.5 - 26 Hz

Focus: linearly focusing controlled by DMX

Head movement: Pan: 630°(4.0 sec) or 540°(3.58 sec), Tilt 265°(2.8 sec). 16-bit resolution, auto repositioning

Control: DMX512, 3-pin XLR interfaces, 21/24/14/16 channel mode

Other function: wireless DMX is available

2.4 inch colour LCD display with back-up power.

Thermostat Controlled, variable speed fan

RDM and software upgrade via DMX.

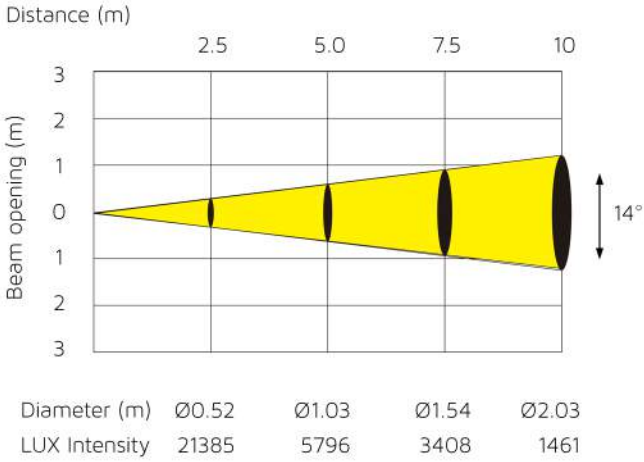
Net weight: 15Kg

Overall Size: 343x262x456mm

Rigging: 2pcs omega brackets with 1/4 – turn quick locks

Road case available

Photometric Data



Colours, Static & Rotating Gobos

Colour wheel



Static gobos



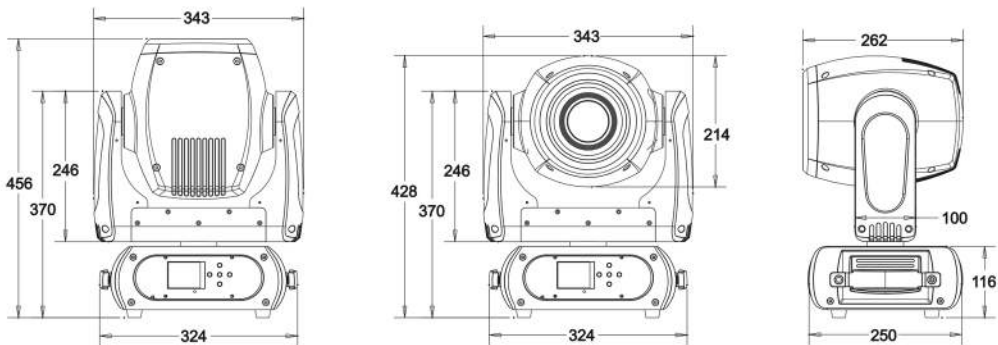
Rotating gobos



DMX Chart

CH1	Pan	0 → 630/540°
CH2	Tilt	0 → 265°
CH3	Speed	0 → Pan/Tilt → 255
CH4	Shutter Function	Normal Pulse Random
CH5	Shutter	Open Slow Fast
CH6	Dimmer	0 255
CH7	Color Function	Slow Fast
CH8	Color	
CH9	Rot Gobo Function	
CH10	Rot Gobo	0 → 255 0 → 255
CH11	GoboRot Function	
CH12	Gobo Rot	0 → 250
CH13	Gobo Function	
CH14	Fixed Gobo	1-8 0 → 250
CH15	Prism	
CH16	Prism Rot	0 → 127 128 → 255
CH17	Focus Function	0 255 (5, 7.5, 10, 15, 20) m
CH18	Focus	
CH19	Iris Function	0 255
CH20	Iris	0 255
CH21	Control	(Pan&Til. Color, Gobo, Other) Reset All Display off/on Hibernation

Dimensional Diagrams





This narrow beam angled mover was designed to change the way people used lights in their shows. At the heart of the beam head is a 60W White LED, which combined an 11 + open gobo wheel, colour wheel, multiple prisms and frost, battery powered menu, RDM, DMX upgradable, large flippable LCD, user settable auto programs and an automatic temperature controlled fan, results in an amazing tool for touring and many other applications.

Details

Input Voltages: 100V~240V AC, 50/60Hz

Power Consumption: 145W

Light source: Luminus CBT-90 60W white LED module

Power Connection: Neutrik® Powercon input and output connection

LED life: 60,000 hours

Lux: 6500 lumen, 11540 lux @5M

Beam angle: 5°

PWM: 1,200Hz

Colors: 1 colour wheel with 8 colors + open

Gobos: 1pc 11 + open fixed gobo wheel

Effect: 3 facets, 8 facets prism, frost

Dimmer: 0-100% dimmer

Strobe: 0.5 – 26 Hz

Head movement: Pan: 630°(4.0 sec)or 540°(3.58 sec), Tilt 265°(2.8 sec).16-bit resolution, auto repositioning

Control: DMX512, 3-pin XLR interfaces, 13/16/10/12 channel mode

Other function: wireless DMX is available

2.4 inch colour LCD display with back-up power.

Thermostat Controlled, variable speed fan

RDM and software upgrade via DMX.

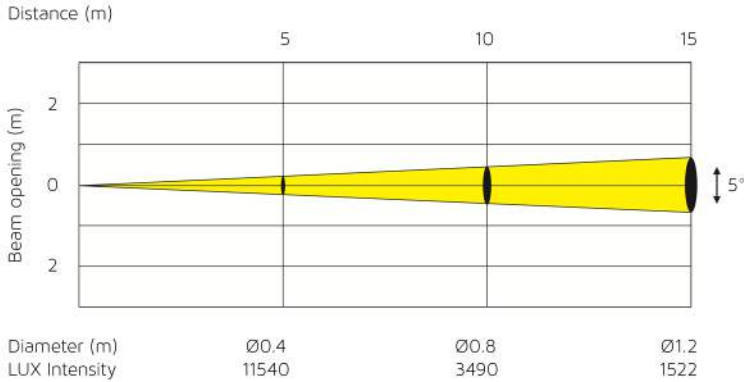
Net weight: 11.5Kg

Overall Size: 343x319x513mm

Rigging: 1pc omega brackets with 1/4 – turn quick locks

Road case available

Photometric Data



Colours & Gobos

Colour wheel



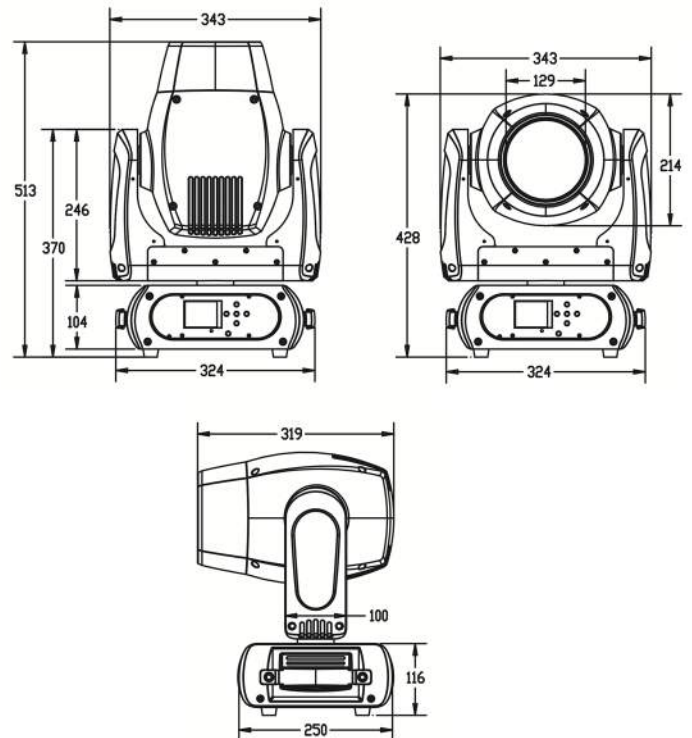
Static gobo



DMX Chart

CH1	Pan	0 → 630/540°
CH2	Tilt	0 → 265°
CH3	Speed	0 → Pan/Tilt Speed → 255
CH4	Shutter Function	Normal <input type="radio"/> Pulse <input type="radio"/> Random <input type="radio"/>
CH5	Shutter	Open <input type="radio"/> Slow <input type="radio"/> Fast <input type="radio"/>
CH6	Dimmer	0 255
CH7	Color Function	Slow Fast
CH8	Color	
CH9	Gobo Function	
CH10	Gobo	
CH11	Prism	
CH12	Prism Rot	0 → 127 128 → 255
CH13	Control	(Pan&Tit, Color, Gobo, Other) Reset All Display off/on Hibernation

Dimensional Diagrams





Beams are quickly becoming a necessity when it comes to a lighting show. The narrow beam angle allows for a huge output, bright enough to cover the distance of a stadium as well as the short distance of a stage. Equipped with a powerful 150W LED, this beam head produces a massive 35690lux @ 5m. As part of Event Lighting's moving head series, 17 + open gobo wheel, colour wheel, multiple prisms and frost, electronic focus, battery powered menu, RDM, DMX upgradable, large flippable LCD, user settable auto programs and an automatic temperature controlled fan are all standard features.

Details

Input Voltages: 100V~240V AC, 50/60Hz

Power Consumption: 220W

Light source: 150W white LED module

Power Connection: Neutrik® Powercon input and output connection

LED life: 60,000 hours

Lux: 10500 lumen, 35690lux @5M

Beam angle: 3.5°

PWM: 1,200Hz

Colors: 1 colour wheel with 14 colors + open

Gobos: 1pc 17 + open fixed gobo wheel, inside image Ø13mm

Effect: 3 facets, 8 facets prism, frost

Dimmer: 0-100% dimmer

Strobe: 0.5 – 26 Hz

Focus: linearly focusing controlled by DMX

Head movement: Pan: 630°(4.0 sec) or 540°(3.58 sec), Tilt 265°(2.8 sec).16-bit resolution, auto repositioning

Control: DMX512, 3-pin XLR interfaces, 14/17/11/13 channel mode

Other function: wireless DMX is available

2.4 inch colour LCD display with back-up power.

Thermostat Controlled, variable speed fan

RDM and software upgrade via DMX.

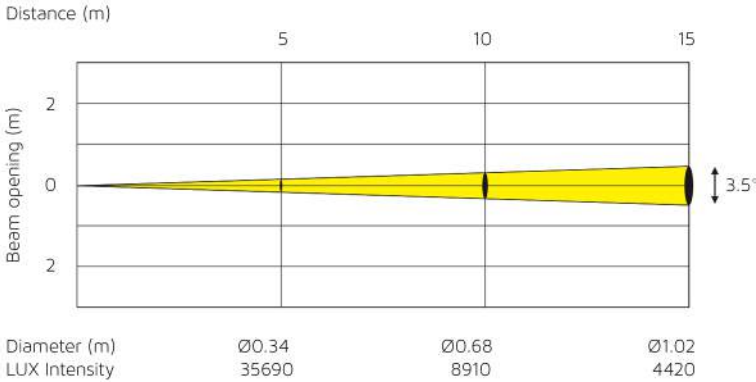
Net weight: 11.5Kg

Overall Size: 343x302x487mm

Rigging: 2pcs omega brackets with 1/4 – turn quick locks

Road case available

Photometric Data



Colours & Gobos

Colour wheel



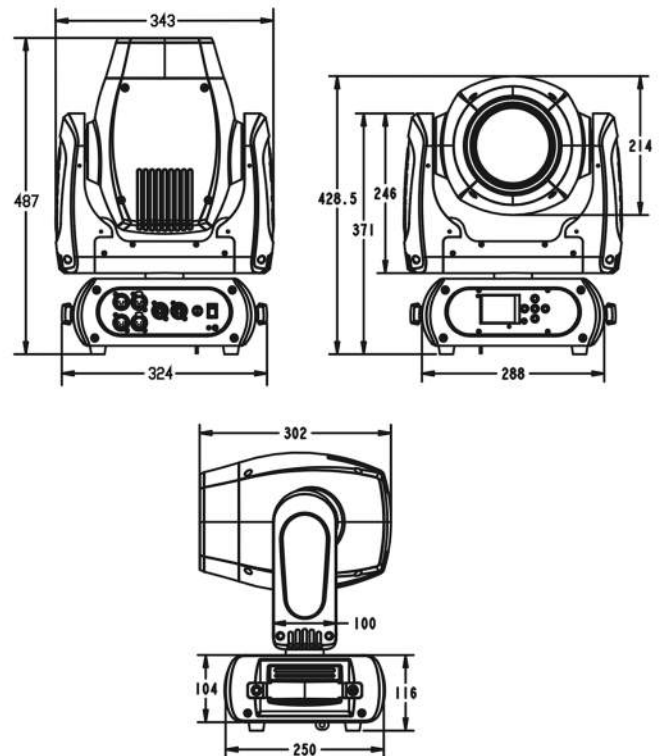
Static gobo



DMX Chart

CH1	Pan	0 → 630/540°
CH2	Tilt	0 → 265°
CH3	Speed	0 → Pan/Tilt → 255
CH4	Shutter Function	Normal <input type="radio"/> Pulse <input type="radio"/> Random <input type="radio"/>
CH5	Shutter	Open <input type="radio"/> Slow <input type="radio"/> Fast <input type="radio"/>
CH6	Dimmer	0 255
CH7	Color Function	Slow Fast
CH8	Color	
CH9	Gobo Function	
CH10	Gobo	
CH11	Prism	
CH12	Prism Rot	0 → 127 128 → 255
CH13	Focus	
CH14	Control	(Pan&Tit. Color. Gobo. Other) Reset All Display off/on Hibernation

Dimensional Diagrams





The multihead beam is one unlike any other beam head in the lighting industry. With 6 10W RGBW LED narrow beam heads which are individually controlled, the head is split into two smaller groups, each having their own controllable Y-axis. Not only is this open new ways to how lights are used, it too is packed with Event Lighting's standard features: battery powered menu, RDM, DMX upgradable, large flippable LCD, user settable auto programs and an automatic temperature controlled fan.

Details

Input Voltages: 100V~240V AC, 50/60Hz

Power Consumption: 134W

Light source: 6 pcs 10W RGBW LED

Power Connection: Neutrik® Powercon input and output connection

LED life: 60,000 hours

Lux: Lux: 3167 lux @3M RED per beam, 5910 lux @3M GREEN per beam, 950 lux @3M BLUE per beam, 9080 lux @3M WHITE per beam

Beam angle: 2.5°

PWM: 1,200Hz

Colors: full color

Pixel control

Separate control of two heads

Dimmer: 0-100% dimmer

Strobe: 0.5 – 26 Hz

Head movement: Pan: 630°(2.8 sec)or 540°(2.0 sec), Tilt 265°(1.8 sec).16-bit resolution, auto repositioning

Control: DMX512, 3-pin XLR interfaces, 18/21/17/20 channel mode

Other function: wireless DMX is available

2.4 inch colour LCD display with back-up power.

Thermostat Controlled, variable speed fan

RDM and software upgrade via DMX.

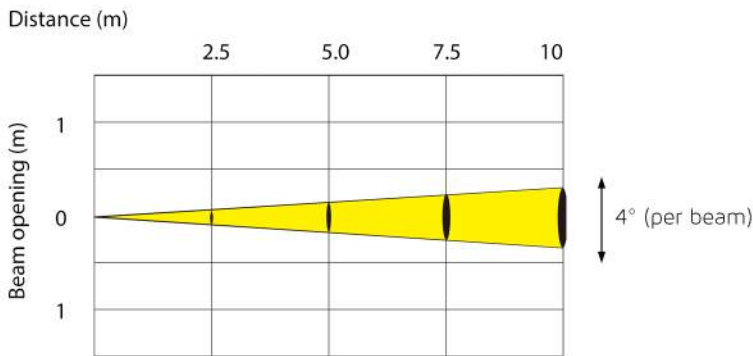
Net weight: 10Kg

Overall Size: 468x375x375mm

Rigging: 1pc omega brackets with 1/4 – turn quick locks

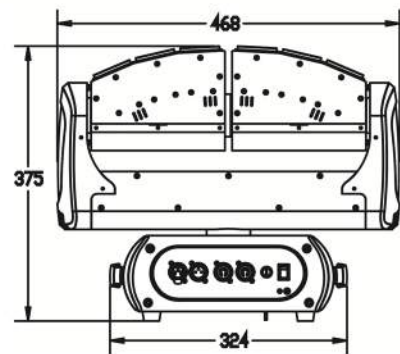
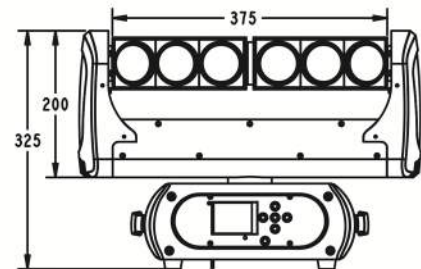
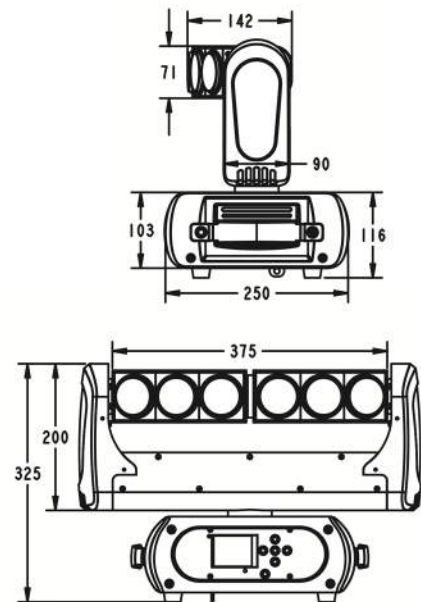
Road case available

Photometric Data (per beam)



Diameter (m)		Ø0.22	Ø0.38	Ø0.52	Ø0.70
LUX Intensity	R	3167	864	403	223
	G	5910	1545	710	396
	B	950	260	120	72
	W	9080	2460	1135	630

Dimensional Diagrams



DMX Chart

CH1	Pan	0 → 630/540°
CH2	Tilt	0 → 265°
CH3	Tilt	0 → 265°
CH4	Speed	0 → Pan/Tilt Speed → 255
CH5	Movement Function	Normal
CH6	Shutter Function	Normal Pulse Random
CH7	Shutter	Open Slow Fast
CH8	Dimmer	0 255
CH9	Virtual Color Function	Slow Fast
CH10	Color 1	(3200k 4200k 5600k 8000k) 0 255
CH11	Color 2	
CH12	Color A	
CH13	Color B	
CH14	Color C	
CH15	Color D	
CH16	Color E	
CH17	Color F	
CH18	Control	Pan&Tit, Reset All Display off/on Hibernation



The multihead beam is one unlike any other beam head in the lighting industry. With 6 20W White LED narrow beam heads which are individually controlled, the head is split into two smaller groups, each having their own controllable Y-axis. Not only is this unit capable of filling a huge area with multiple beams of light with its curved head, it too is packed with Event Lighting's standard features: battery powered menu, RDM, DMX upgradable, large flippable LCD, user settable auto programs and an automatic temperature controlled fan.

Details

Input Voltages: 100V~240V AC, 50/60Hz

Power Consumption: 206W

Light source: 6 pcs 20W white LED

Power Connection: Neutrik® Powercon input and output connection

LED life: 60,000 hours

Lux: 32000 lux @2.5M for per beam

Beam angle: 4°

PWM: 1,200Hz

Colors: white

Pixel control

Separate control of two heads

Dimmer: 0-100% dimmer

Strobe: 0.5 – 26 Hz

Head movement: Pan: 630°(2.8 sec)or 540°(2.0 sec), Tilt 265°(1.8 sec).16-bit resolution, auto repositioning

Control: DMX512, 3-pin XLR interfaces, 15/18/14/17 channel mode

Other function: wireless DMX is available

2.4 inch colour LCD display with back-up power.

Thermostat Controlled, variable speed fan

RDM and software upgrade via DMX.

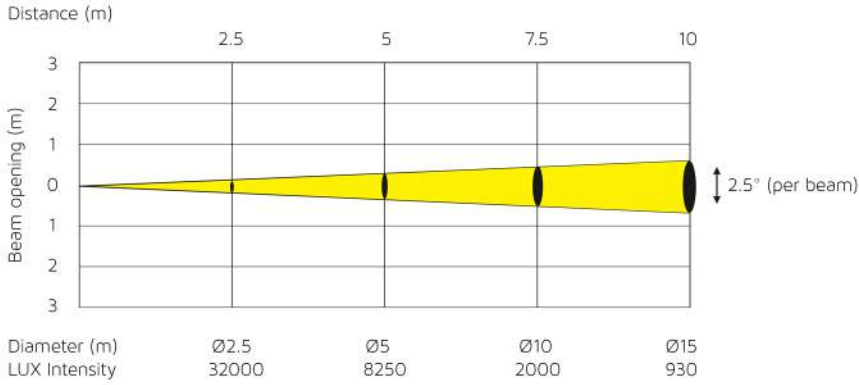
Net weight: 10Kg

Overall Size: 468x375x375mm

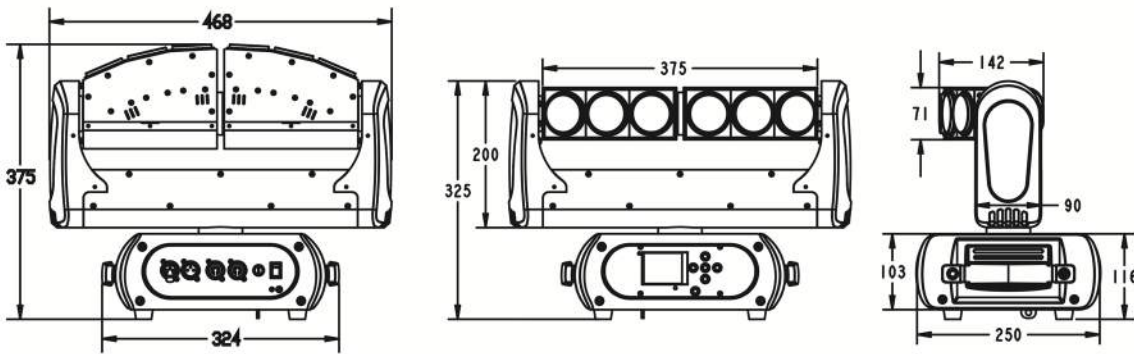
Rigging: 1pc omega brackets with 1/4 – turn quick locks

Road case available

Photometric Data (per beam)



Dimensional Diagrams



DMX Chart

CH1	Pan	0 → 630/540°
CH2	Tilt	0 → 265°
CH3	Tilt	0 → 265°
CH4	Speed	0 → Pan/Tilt Speed → 255
CH5	Movement Function	Normal
CH6	Shutter Function	Normal Pulse Random
CH7	Shutter	Open Slow Fast
CH8	Dimmer	0 255
CH9	White 1	0->100%
CH10	White 2	0->100%
CH11	White 3	0->100%
CH12	White 4	0->100%
CH13	White 5	0->100%
CH14	White 6	0->100%
CH15	Control	Pan&Tit, Reset All Display off/on Hibernation



Don't be fooled by its size, even though this wash head is smaller of its sibling, that is as far as the differences go. With 7 Osram 15W RGBW LEDs and a massive 6 - 60 degree zoom range plus all standard features including a battery powered menu, RDM, DMX upgradable, large flippable LCD, user settable auto/sound programs, this unit is still perfect for touring and smaller productions.

Details

Input Voltages: 100V~240V AC, 50/60Hz

Power Consumption: 125W

Light source: 7 pcs Osram 15W RGBW LED

Power Connection: Neutrik® Powercon input and output connection

LED life: 60,000 hours

Lux: 3,500 lumen, 9,700 lux RGBW full on @3M at 6°

Beam angle: 6°to 60°

PWM: 1,200Hz

Colors: full color

Pixel control

Dimmer: 0-100% dimmer

Strobe: 0.5 - 26 Hz

Zoom: 6°to 60°

Head movement: Pan: 630°(1.45 sec)or 540°(1.2 sec), Tilt 265°(0.72 sec).16-bit resolution, auto repositioning

Control: DMX512, 3-pin XLR interfaces, 19/50/18/20 channel mode

Other function: wireless DMX is available

2.4 inch colour LCD display with back-up power.

Thermostat Controlled, variable speed fan

RDM and software upgrade via DMX.

Net weight: 6Kg

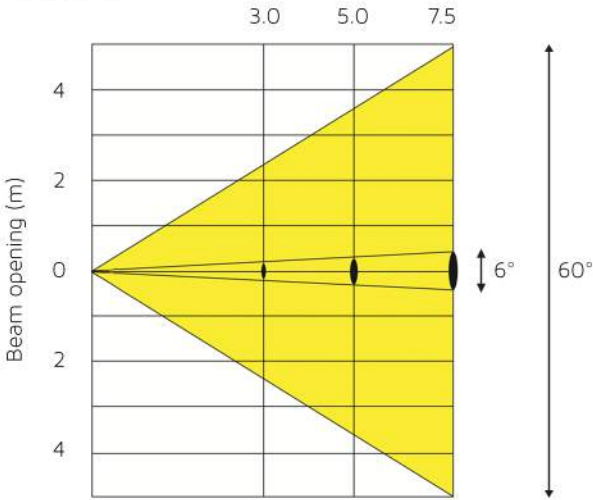
Overall Size: 249x179x369mm

Rigging: 1pc omega brackets with 1/4 – turn quick locks

Road case available

Photometric Data

Distance (m)



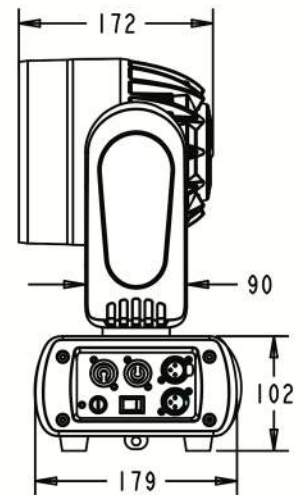
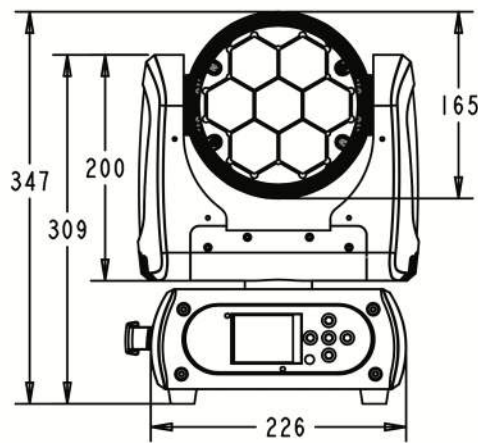
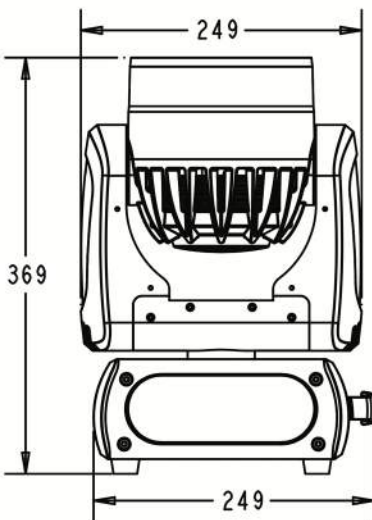
Diameter (m)	Ø0.44	Ø0.65	Ø0.91
LUX Intensity			
R	1624	552	258
G	4032	1358	628
B	560	195	105
W	4660	1638	766
Full	9700	3263	1494

Diameter (m)	Ø3.95	Ø6.50	Ø9.68
LUX Intensity			
R	130	53	39
G	307	124	68
B	43	18	24
W	352	146	79
Full	745	302	141

DMX Chart

CH1	Pan	0 → 630/540°
CH2	Tilt	0 → 265°
CH3	Speed	0 → Pan/Tilt Speed → 255
CH4	Shutter Function	Normal <input type="radio"/> Pulse <input type="radio"/> Random <input type="radio"/>
CH5	Shutter	Open <input type="radio"/> Slow <input type="radio"/> Fast <input type="radio"/>
CH6	Dimmer	0 255
CH7	Color Function	Slow <input type="radio"/> Fast <input type="radio"/>
CH8	Color1	(3200k 4200k 5600k 8000k) 0 → 255
CH9	Color2	
CH10	Red	0->100%
CH11	Green	0->100%
CH12	Blue	0->100%
CH13	White	0->100%
CH14	Zoom	
CH15	Foreground	
CH16	Background	
CH17	Pattern	
CH18	Pattern Speed	
CH19	Control	(Pan&Tit, Other) Reset All Display off/on Hibernation

Dimensional Diagrams





Using 19 Osram 15W RGBW LEDs each individually controllable by DMX, there is a lot more to this wash head than what can be seen. With a luminous flux of 8000 lumens, a 6-60 degree zoom range, battery powered menu, RDM, DMX upgradable, large flippable LCD, user settable auto programs and an automatic temperature controlled fan with heat pipe technology, this becomes the perfect light that fits into any application its used for!

Details

Input Voltages: 100V~240V AC, 50/60Hz

Power Consumption: 316W

Light source: 19 pcs Osram 15W RGBW LED

Power Connection: Neutrik® Powercon input and output connection

LED life: 60,000 hours

Lux: 8,000 lumen, 21,880 lux RGBW full on @3M at 6°

Beam angle: 6°to 60°

PWM: 1,200Hz

Colors: full color

Pixel control

Dimmer: 0-100% dimmer

Strobe: 0.5 – 26 Hz

Zoom: 6°to 60°

Head movement: Pan: 630°(2.2 sec)or 540°(2.0 sec), Tilt 265°(0.85 sec).16-bit resolution, auto repositioning

Control: DMX512, 3-pin XLR interfaces, 19/98/18/20 channel mode

Other function: wireless DMX is available

2.4 inch colour LCD display with back-up power.

Thermostat Controlled, variable speed fan

RDM and software upgrade via DMX.

Net weight: 12Kg

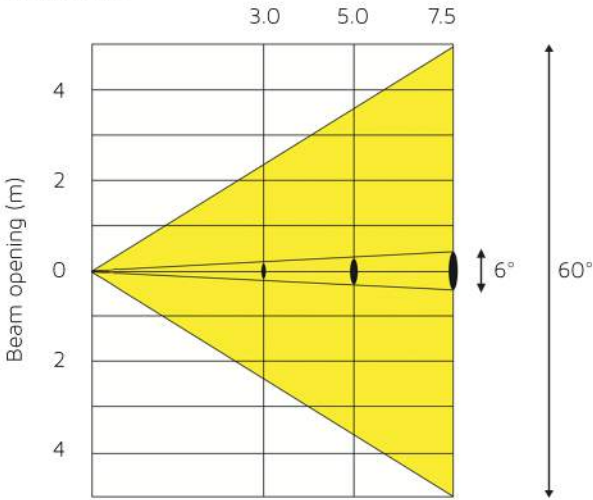
Overall Size: 344x250x426mm

Rigging: 2pcs omega brackets with 1/4 – turn quick locks

Road case available

Photometric Data

Distance (m)



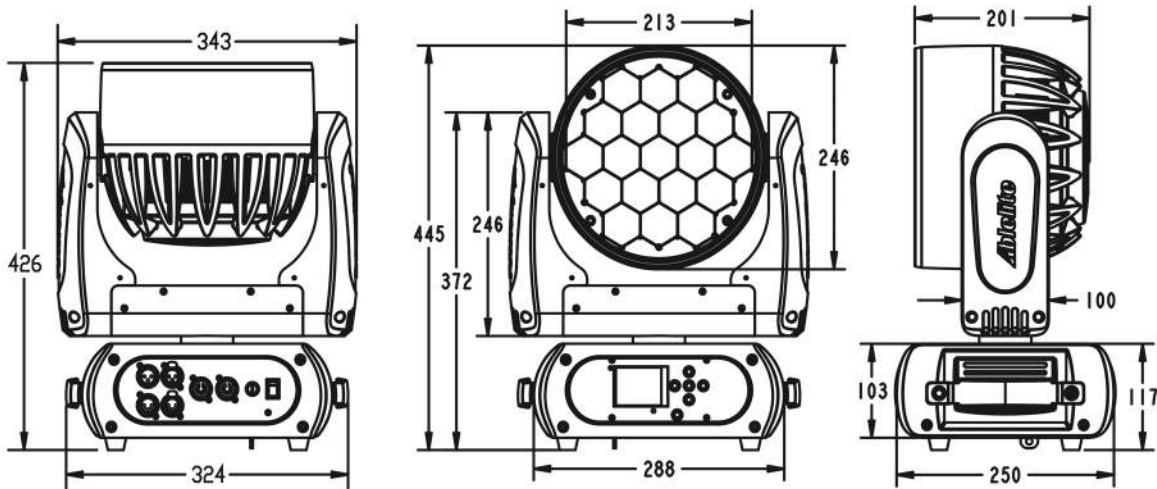
Diameter (m)		Ø0.54	Ø0.75	Ø1.01
LUX Intensity	R	3770	1254	627
	G	8811	3045	1402
	B	1370	490	243
	W	11170	3889	1789
	Full	21880	7670	3500

Diameter (m)		Ø4.04	Ø6.59	Ø9.78
LUX Intensity	R	281	120	84
	G	671	294	155
	B	108	48	52
	W	810	361	183
	Full	1600	711	336

DMX Chart

CH1	Pan	0 → 630/540°
CH2	Tilt	0 → 265°
CH3	Speed	0 → Pan/Tilt Speed → 255
CH4	Shutter Function	Normal <input type="radio"/> Pulse <input type="radio"/> Random <input type="radio"/>
CH5	Shutter	Open <input type="radio"/> Slow <input type="radio"/> Fast <input type="radio"/>
CH6	Dimmer	0 255
CH7	Color Function	Slow Fast
CH8	Color1	(3200k 4200k 5600k 8000k) 0 → 255
CH9	Color2	
CH10	Red	0->100%
CH11	Green	0->100%
CH12	Blue	0->100%
CH13	White	0->100%
CH14	Zoom	
CH15	Foreground	
CH16	Background	
CH17	Pattern	
CH18	Pattern Speed	
CH19	Control	(Pan&Tit. Other) Reset All Display off/on Hibernation

Dimensional Diagrams





Using 37 Osram 15W RGBW LEDs each individually controllable by DMX or Artnet, this top of the line wash head puts itself ahead of the game when it comes lighting. With a 6 - 50 degree zoom range, fast and near-silent motion, battery powered menu, RDM, DMX upgradable, large flippable LCD and an automatic temperature controlled fan with heat pipe technology, whether it is used for touring or even the most complicated lighting setup, this unit will handle anything thrown at it effortlessly.

Details

Input Voltages: 100V~240V AC, 50/60Hz

Power Consumption: 520W

Light source: 37 pcs Osram 15W RGBW LED

Power Connection: Neutrik® Powercon input and output connection

LED life: 60,000 hours

Lux: 13,500 lumen, 30,440 lux RGBW full on @3M at 6°

Beam angle: 6° to 50°

PWM: 1,200Hz

Colors: full color

Pixel control

Dimmer: 0-100% dimmer

Strobe: 0.5 – 26 Hz

Zoom: 6° to 50°

Head movement: Pan: 630°(2.2 sec)or 540°(2.0 sec), Tilt 265°(0.85 sec).16-bit resolution, auto repositioning

Control: DMX512, 5-pin XLR & Ethernet interfaces, 19/41/170/21 channel mode

Other function: wireless DMX is available

2.4 inch colour LCD display with back-up power.

Thermostat Controlled, variable speed fan

RDM and software upgrade via DMX.

Net weight: 17Kg

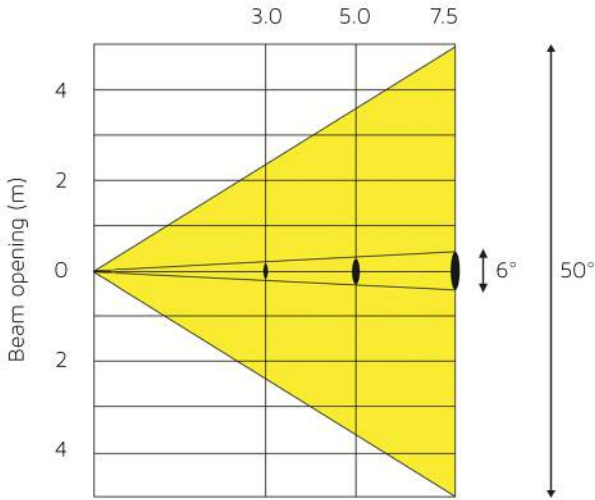
Overall Size: 444x250x506mm

Rigging: 2pcs omega brackets with 1/4 – turn quick locks

Road case available

Photometric Data

Distance (m)



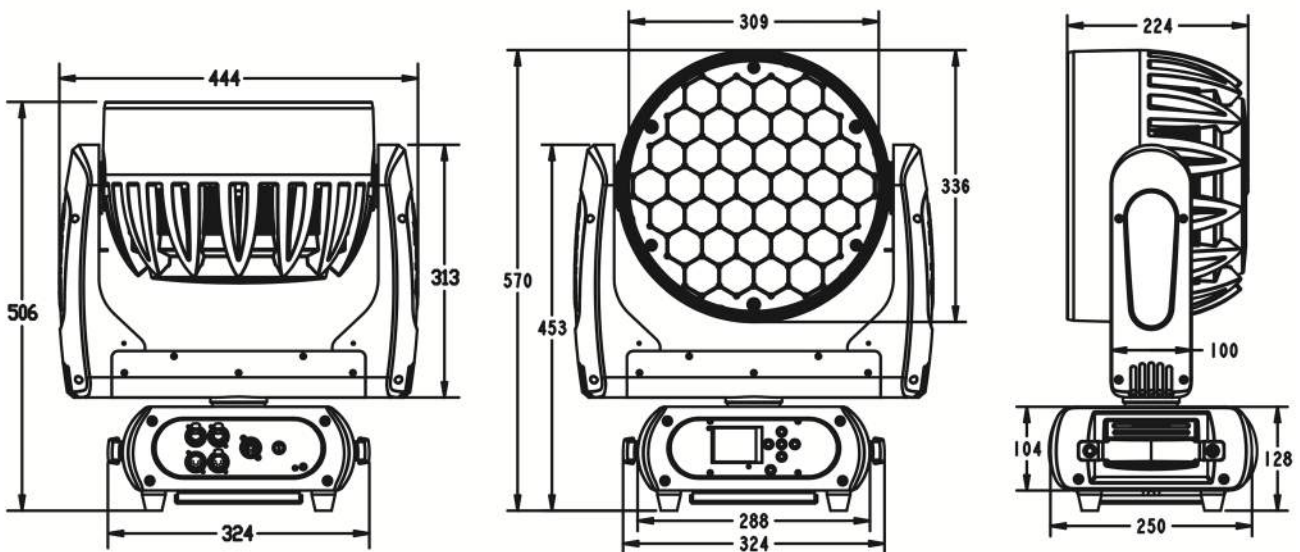
Diameter (m)		Ø0.7	Ø0.9	Ø1.5
LUX Intensity	R	7200	2771	1200
	G	15690	5900	2600
	B	2370	890	400
	W	20700	7700	3376
	Full	30440	15530	6750

Diameter (m)		Ø2.8	Ø4.8	Ø9.78
LUX Intensity	R	910	351	159
	G	2015	750	341
	B	310	115	54
	W	2520	930	427
	Full	5200	1914	880

DMX Chart

CH1	Pan	0 → 360/540°
CH2	Tilt	0 → 265°
CH3	Speed	0 → Pan/Tilt Speed → 255
CH4	Shutter Function	Normal <input type="radio"/> Pulse <input type="radio"/> Random <input type="radio"/>
CH5	Shutter	Open <input type="radio"/> Slow <input type="radio"/> Fast <input type="radio"/>
CH6	Dimmer	0 255
CH7	Color Function	Slow <input type="radio"/> Fast <input type="radio"/>
CH8	Color1	(3200k 4200k 5600k 8000k) 0 → 255
CH9	Color2	
CH10	Red	0->100%
CH11	Green	0->100%
CH12	Blue	0->100%
CH13	White	0->100%
CH14	Zoom	
CH15	Foreground	
CH16	Background	
CH17	Pattern	
CH18	Pattern Speed	
CH19	Control	(Pan & Tit, Other) Reset All Display off/on Hibernation

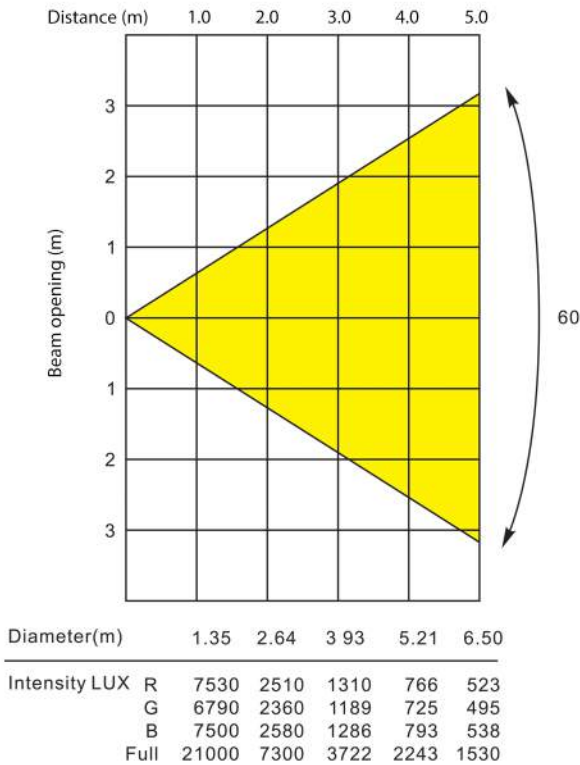
Dimensional Diagrams



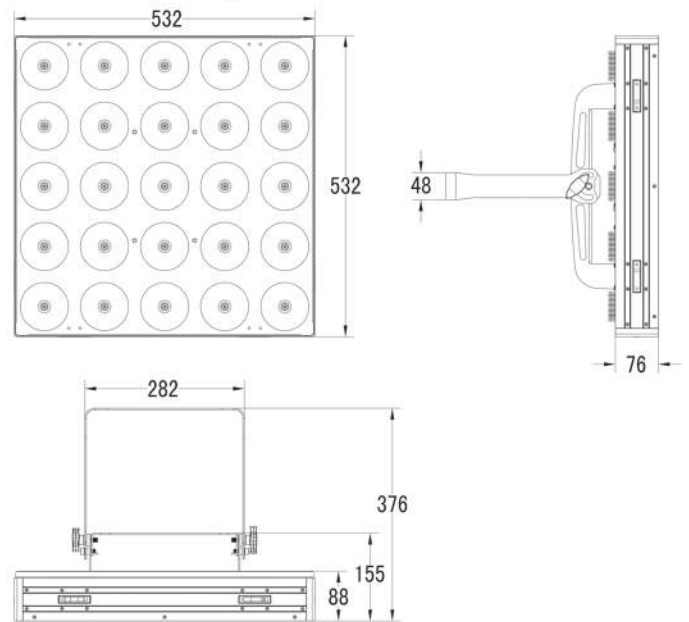


Massive 25 x 30W RGB LEDs in a 5x5 matrix to give you enough resolution to write text in 1 panel high. You can interlock multiple units in a row to give a very powerful and bright LED message board behind a stage or use it as a blinder or a wash or whatever you want! 3 and 5 pin DMX and powercon I/O connectors with Artnet as an optional addition - this unit is our most feature packed product as it includes all our usual standard features as well as a variable controlled smart cooling system.

Photometric Data



Dimensional Diagrams



Details

Input Voltages: 100V~240V AC, 50/60Hz

Power Consumption: 600W

Light source: 25pcs 30W RGB COB LED

Power Connection: Neutrik Powercon input and output connection

LED life: 50,000 hours

Lux: 7300 lux on @2.0M RGB full on

Beam angle: 60°

PWM: 11,700Hz

Dimmer: 0-100% dimmer

Smooth electronic dimming with a 16-bit 4 Dimmer curve

Strobe: 1 - 30 Hz

Control: DMX512, 3-pin & 5-pin XLR interfaces, 3/5/9/75/80 channel mode, included Individual Pixel control

Operation Mode: DMX, auto, sound active, master/ slave, manual colour mode, static colour mode

4-button LCD display control panel

Oxidation surface treated Aluminum housing

Smart Cooling system,

Latch system (Collin lock) to link multiple panels together

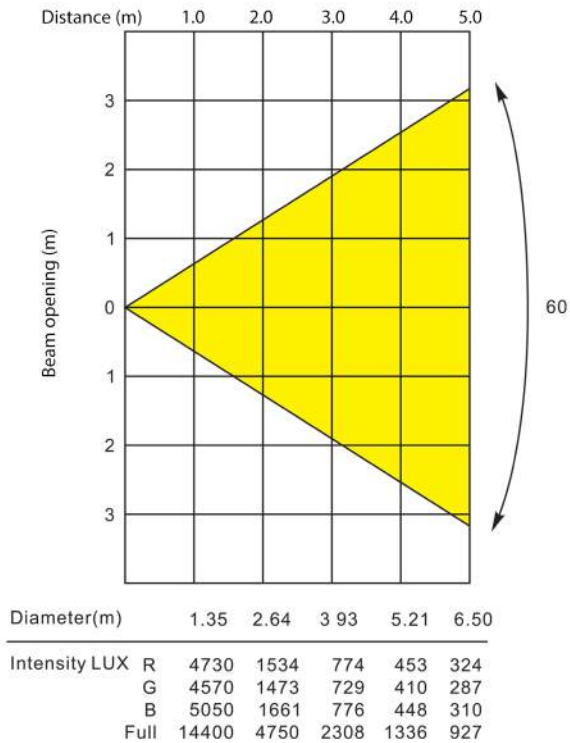
Net weight: 14.5 Kg

Overall Size: 532x532x376mm

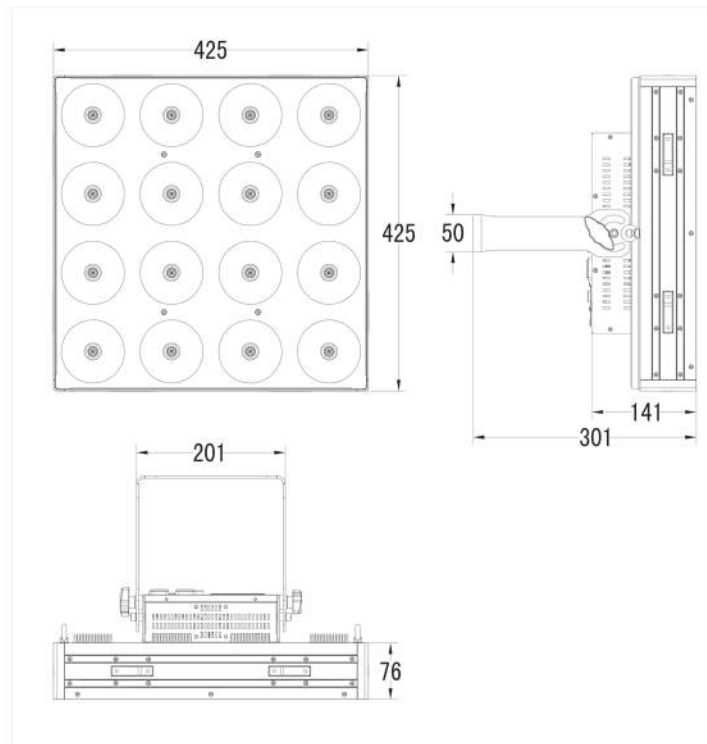


This unit has so many uses, with a matrix of 16 LEDs in a 4x4 array each being a 30W RGB LED with 60deg beam angle. You can only begin to imagine the power and opportunities this lighting fixture will give you, including washing, blinding, chasing effects as well as text. These units are interlockable to allow stacking in all directions, allowing you to have an effectively pixel controllable wall! Includes Powercon I/O connectors and 3 and 5 pin DMX I/O connectors for the pro user. Cooling is by a variable temperature controlled smart cooling system and suitable for most applications.

Photometric Data



Dimensional Diagrams



Details

Input Voltages: 100V~240V AC, 50/60Hz

Power Consumption: 390W

Light source: 16pcs 30W RGB COB LED

Power Connection: Neutrik Powercon input and output connection

LED life: 50,000 hours

Lux: 4750 lux on @2.0M RGB full on

Beam angle: 60°

PWM: 11,700Hz

Dimmer: 0-100% dimmer

Smooth electronic dimming with a 16-bit 4 Dimmer curve

Strobe: 1 - 30 Hz

Control: DMX512, 3-pin & 5-pin XLR interfaces, 3/5/9/48/53 channel mode, included Individual Pixel control

Operation Mode: DMX, auto, sound active, master/ slave, manual colour mode, static colour mode

4-button LCD display control panel

Oxidation surface treated Aluminum housing

Smart Cooling system,

Latch system (Collin lock) to link multiple panels together

Net weight: 11.3 Kg

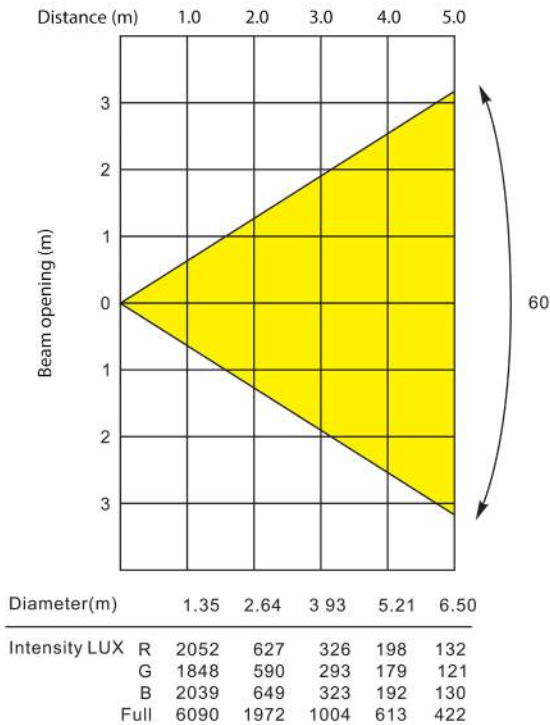
Overall Size: 425x425x301mm



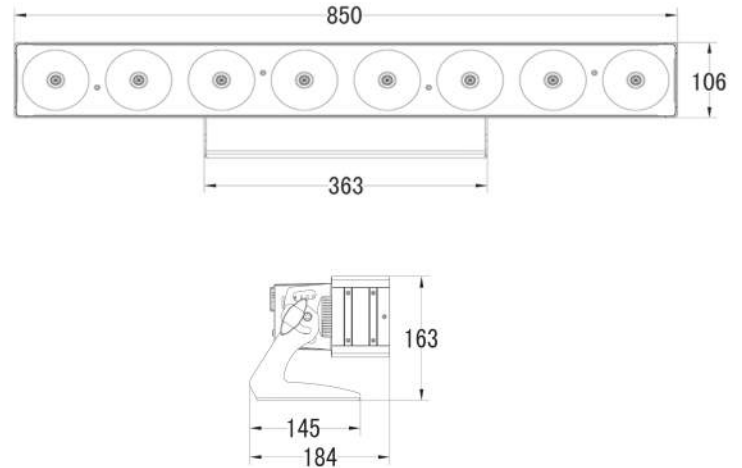
This unit is capable of effective wall washing from a very close distance with the power to shoot down a long wall with even coverage. It is not only limited to this function as it uses 8x 30W RGB LEDs which are pixel controllable. This unit is so bright and with the 60deg beam angle you do not need too many of them to wash a stage. It has all the features as expected in an Event Lighting fixture like LCD display, Fan less design, special bracket for floor or hanging mounting options, fixed colour and chasing standalone settings including multi panel chases. Imagine the uses!



Photometric Data



Dimensional Diagrams



Details (Ver 2.0)

Input Voltages: 100V~240V AC, 50/60Hz

Power Consumption: 200W

Light source: 8pcs 30W RGB COB LED

Power Connection: IEC power input and output connection

LED life: 50,000 hours

Lux: 1972 lux on @2.0M RGB full on

Beam angle: 60°

PWM: 11,700Hz

Dimmer: 0-100% dimmer

Smooth electronic dimming with a 16-bit 4 Dimmer curve & one 8-bit Dimmer curve

Strobe: 1 - 30 Hz

Control: DMX512, 3-pin XLR interfaces, 3/5/9/12/17 channel mode, included Individual Pixel control

Operation Mode: DMX, auto, sound active, master/ slave, manual colour mode, static colour mode

4-button LCD display control panel

Oxidation surface treated Aluminum housing

Smart Cooling system without fan

Net weight: 6.2 Kg

Overall Size: 850x184x163mm

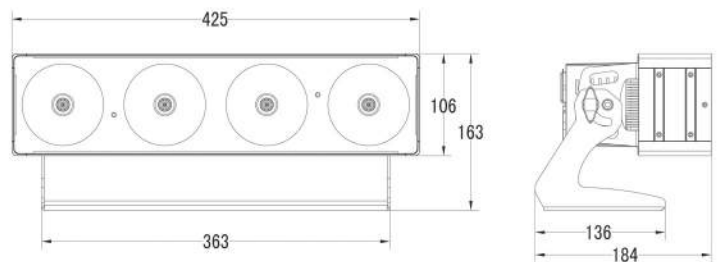
Roadcase available



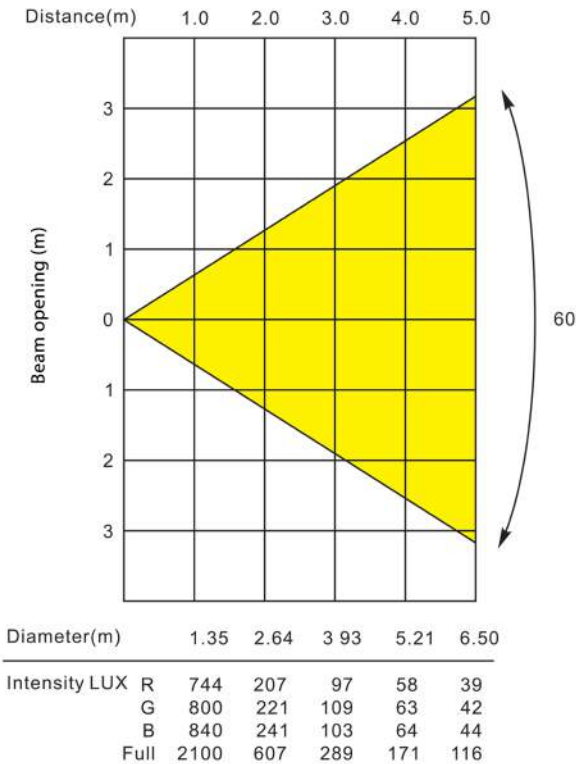
Need a wash or effect that can make an impact? Using 4x 30W RGB LEDs with individual pixel control and a 60 deg beam angle, this fixture is blindingly bright, looks great alone with its built in chasing patterns, and include multi panel chases when you link more than one unit together. It has the standard Event Lighting features not limited to LCD display, Fan less design, special bracket for floor or hanging mounting options, fixed colour and chasing standalone settings. Great for any application like washing a stage, backlighting or just as an effect unit! If you don't need the highest power in the range, the PAN4x1x15 has same function with 4x 15W RGB LEDs. Road cases are available.



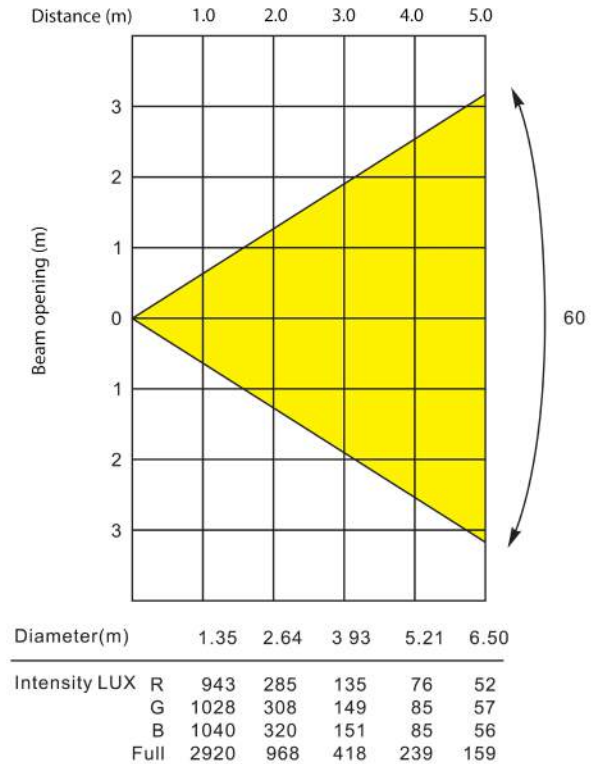
Dimensional Diagrams



Photometric Data PAN4x1x15



Photometric Data PAN4x1x30



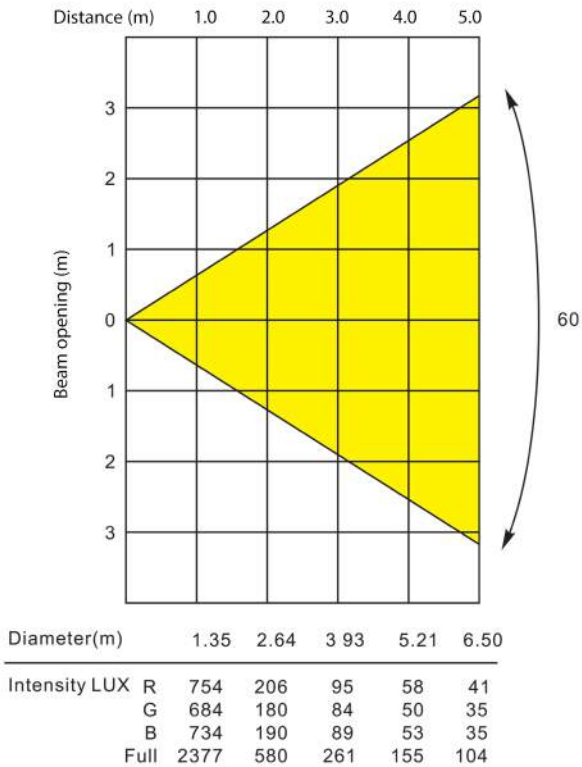
Details (Ver 2.0)	PAN4X1X30	PAN4X1X15
Input Voltages	100V~240V AC, 50/60Hz	
Power Consumption	60W	120W
Light Source	4pcs 30W RGB COB LED	4pcs 15W RGB COB LED
Power Connection	IEC power input and output connection	
Lux on @2.0M RGB full on	968 lux	607 lux
Beam Angle	60°	
PWM	11,700 Hz	
Dimmer	0-100% dimmer	
Smooth electronic dimming with a 16-bit 4 Dimmer curve & one 8-bit Dimmer curve		
Strobe	1 - 30 Hz	
Control	DMX512, 3-pin XLR interfaces, 3/5/9/12/17 channel mode included Individual Pixel control	
Operation Mode	DMX, auto, sound active, master/ slave, manual colour mode, static colour mode,	
4-button LCD display control panel		
Oxidation surface treated Aluminum housing		
Smart Cooling system without fan		
Net weight	4kg	
Overall Size	425 x 187 x 163 mm	
Road case available		



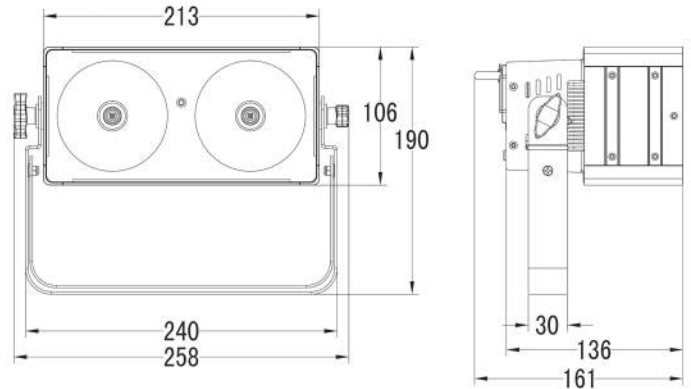
Huge 2x 30W RGB LEDs with individual pixel control and a 60 deg beam angle. Blindingly bright fixture in a compact chassis. Usual Event Lighting standard features not limited to LCD display, Fan less design, double yoke for floor mounting, fixed colour and chasing standalone settings and multi panel chases in master / slave mode. Great for almost any application!



Photometric Data



Dimensional Diagrams



Details (Ver 2.0)

Input Voltages: 100V~240V AC, 50/60Hz

Power Consumption: 50W

Light source: 2pcs 30W RGB COB LED

Power Connection: IEC power input connection

LED life: 50,000 hours

Lux: 580 lux on @2.0M RGB full on

Beam angle: 60°

PWM: 11,700Hz

Dimmer: 0-100% dimmer

Smooth electronic dimming with a 16-bit 4 Dimmer curve & one 8-bit Dimmer curve

Strobe: 1 - 30 Hz

Control: DMX512, 3-pin XLR interfaces, 3/5/6/9/11 channel mode, included Individual Pixel control

Operation Mode: DMX, auto, sound active, master/ slave, manual colour mode, static colour mode

4-button LCD display control panel

Oxidation surface treated Aluminum housing

Smart Cooling system without fan

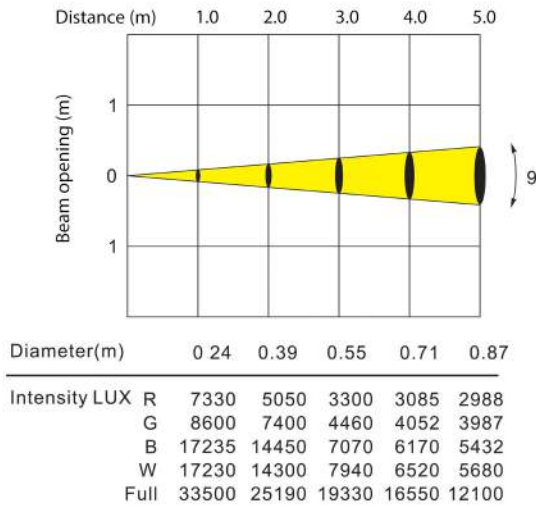
Net weight: 2.5 Kg

Overall Size: 258x161x190mm

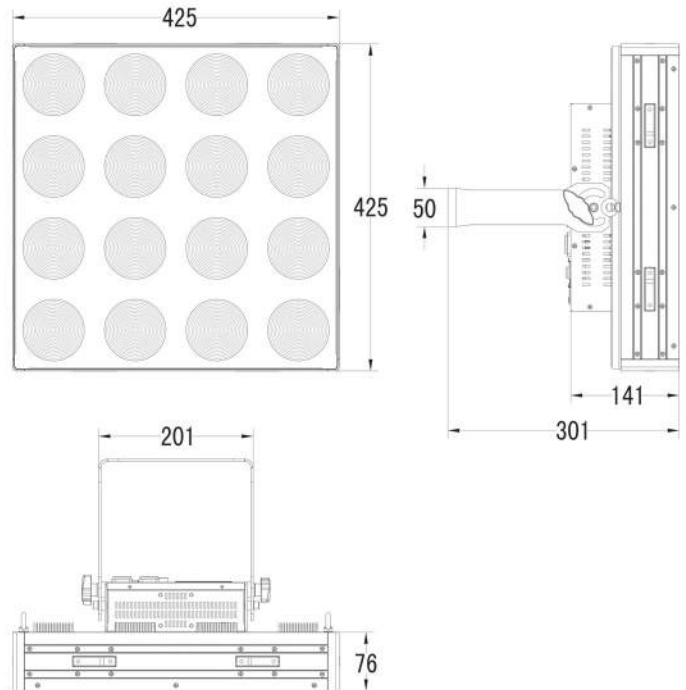


This Beam is another staple for touring events. Utilising 16 x 10W RGBW LEDs, it is sure to make an impact on stage. It is designed to create deep penetrating beams through the atmosphere and also doubles as an effect unit with individual pixel control. The LCD panel makes it easy to use and the fan-less design makes it super quiet. It also includes the interlocking mechanism which allows stacking. Also has all the usual Event Lighting features like master / slave modes, standalone and sound activated modes. Perfect for concerts, touring and stages.

Photometric Data



Dimensional Diagrams



Details

Input Voltages: 100V~240V AC, 50/60Hz

Power Consumption: 200W

Light source: 16pcs CREE 10W RGBW LED

Power Connection: Neutrik Powercon input and output connection

LED life: 50,000 hours

Lux: 25190 lux on @2.0M RGBW full on

Beam angle: 9°

PWM: 11,700Hz

Dimmer: 0-100% dimmer

Smooth electronic dimming with a 16-bit 4 Dimmer curve

Strobe: 1 - 30 Hz

Control: DMX512, 3-pin & 5-pin XLR interfaces, 4/6/9/64 channel mode, included Individual Pixel control

Operation Mode: DMX, auto, sound active, master/ slave, manual colour mode, static colour mode

4-button LCD display control panel

Oxidation surface treated Aluminum housing

Smart Cooling system

Latch system (Collin lock) to link multiple panels together

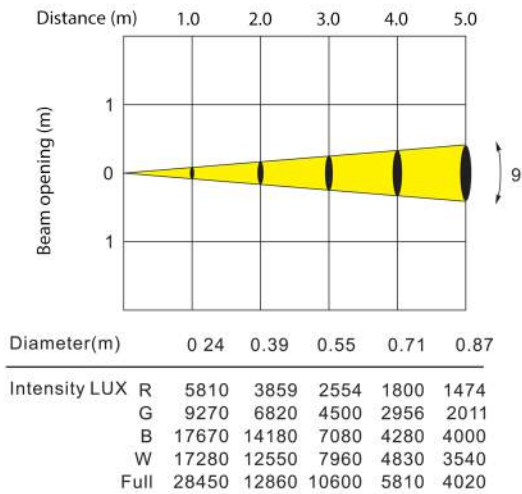
Net weight: 11.3 Kg

Overall Size: 425x425x301mm

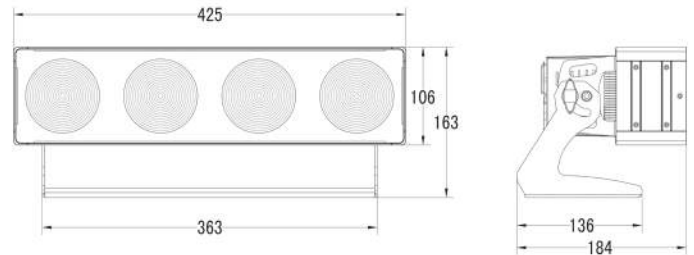


With an extraordinary amount of brightness from just a small array of 4 x 10W RGBW LEDs comes the Pan Beam 4x1x10. The small beam angle makes it perfect for extraordinary effects over long distances and gives the impression of extreme power. Comes with all the usual features that all Event Lighting stage lighting products have, including an easy to use LCD panel, master/slave modes as well as standalone and sound active modes. Perfect for stages and night clubs, DJs and more

Photometric Data



Dimensional Diagrams



Details

Input Voltages: 100V~240V AC, 50/60Hz

Power Consumption: 50W

Light source: 4pcs CREE 10W RGBW LED

Power Connection: IEC power input and output connection

LED life: 50,000 hours

Lux: 12860 lux on @2.0M RGBW full on

Beam angle: 9°

PWM: 11,700Hz

Dimmer: 0-100% dimmer

Smooth electronic dimming with a 16-bit 4 Dimmer curve

Strobe: 1 - 30 Hz

Control: DMX512, 3-pin XLR interfaces, 4/6/9/16 channel mode, included Individual Pixel control

Operation Mode: DMX, auto, sound active, master/ slave, manual colour mode, static colour mode

4-button LCD display control panel

Oxidation surface treated Aluminum housing

Smart Cooling system

Net weight: 4 Kg

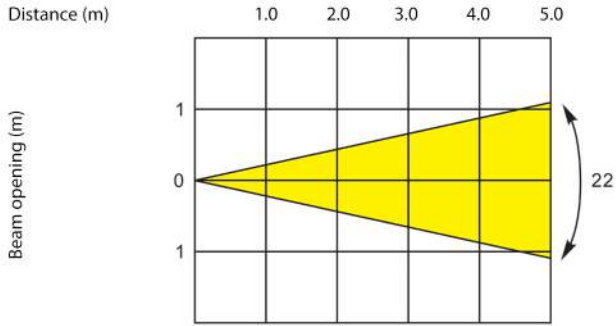
Overall Size: 425x184x163mm

Road case available



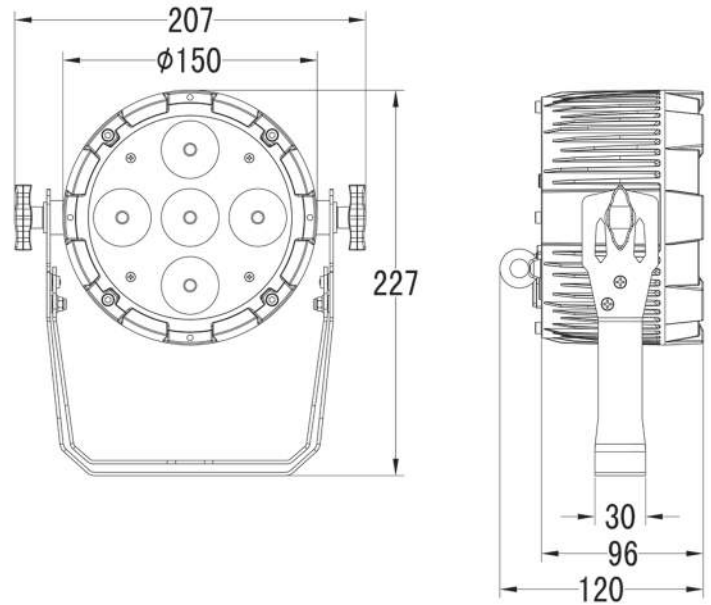
The PARRGBW5x8 is no toy. This durable little beast packs a punch as it has all the functions on features of its big brother including 5 dimmer curves. It uses 5 x 8W Quad colour LEDs at 22deg and together with its Fan-less design, makes it virtually silent and maintenance free. Having features that most do not have, easy to use LCD panel menu, static colour settings, standalone macros, standalone modes and master / slave modes including multi-can chases and the latest having DMX upgradable software. The unit even fits perfectly inside a truss so that it can be used as a truss warmer.

Photometric Data



Diameter(m)	0.52	0.93	1.33	1.74	2.14
Intensity LUX					
R	1784	457	210	118	78
G	1743	467	213	121	81
B	2327	588	273	149	98
W	2648	786	357	201	135
Full	7190	1910	883	489	338

Dimensional Diagrams



Details (Ver 2.0)

Input Voltages: 100V~240V AC, 50/60Hz

Power Consumption: 40W

Light Source: 5 pcs 8 W RGBW LED

Power Connection: IEC power input connection

LED life: 50,000 hours

Lux: 1910 lux on @2.0M RGBW full on

Beam Angle: 22°

PWM: 2,940Hz

Dimmer: 0-100% dimmer

Smooth electronic dimming with a 16-bit 4 Dimmer curve & one 8-bit Dimmer curve

Strobe: 1 - 30 Hz

Control: DMX512, 3-pin XLR interfaces, 4/6/10 channel mode

4-button LCD display control panel

Die-cast Aluminium housing

Smart Cooling system without fan

Software upgrade via DMX.

Net weight: 1.9 Kg

Overall Size: 207x227x120mm

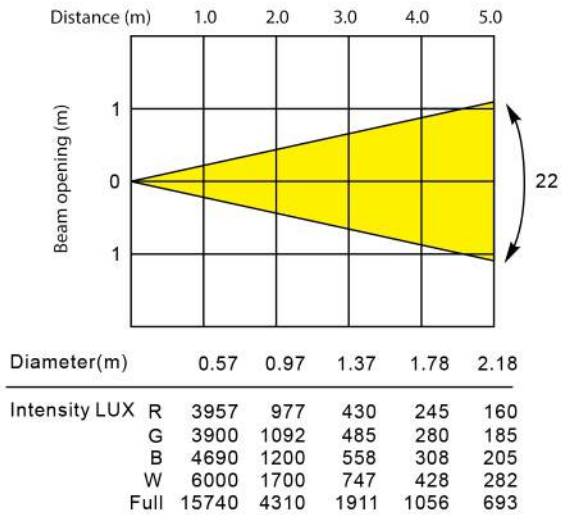
Road case available



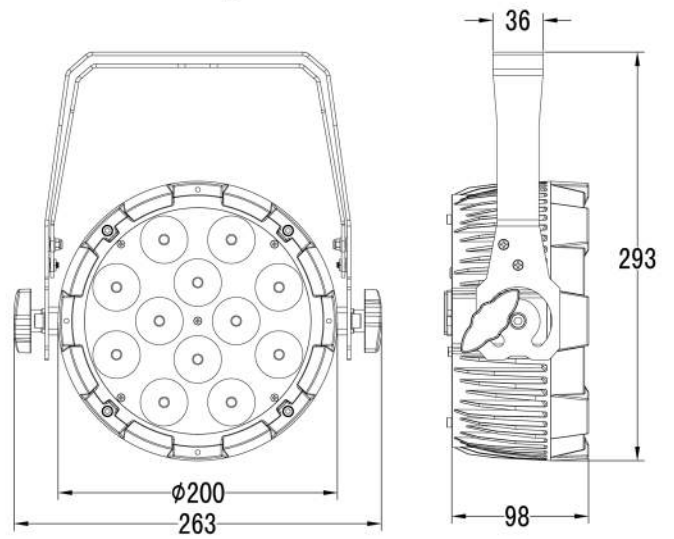
The PARRGBW12x8 is a can that is compact, light weight but also durable. Utilising 12x 8W Quad colour LEDs it is blindingly bright even at 22 deg and the use of a LCD panel makes this flat par easy to use. Fan-less design makes it virtually silent and maintenance free, having features including 5 dimming curves, static colour setting, standalone macros, standalone modes and master slave modes including multi-can chases and the latest having DMX upgradable software. This power house is perfect for clubs, venues, concerts, productions and much, much more.



Photometric Data



Dimensional Diagrams



Details (Ver 2.0)

Input Voltages: 100V~240V AC, 50/60Hz

Power Consumption: 98W

Light Source: 12 pcs 8 W RGBW LED

Power Connection: IEC power input and output connection

LED Life: 50,000 hours

Lux: 4310lux on @2.0M RGBW full on

Beam Angle: 22°

PWM: 2,940Hz

Dimmer: 0-100% dimmer

Smooth electronic dimming with a 16-bit 4 Dimmer curve & one 8-bit Dimmer curve

Strobe: 1 - 30 Hz

Control: DMX512, 3-pin XLR interfaces, 4/6/10 channel mode

4-button LCD display control panel

Die-cast Aluminum housing

Smart Cooling system without fan

Software upgrade via DMX.

Net weight: 3.2 Kg

Overall Size: 263x293x98mm

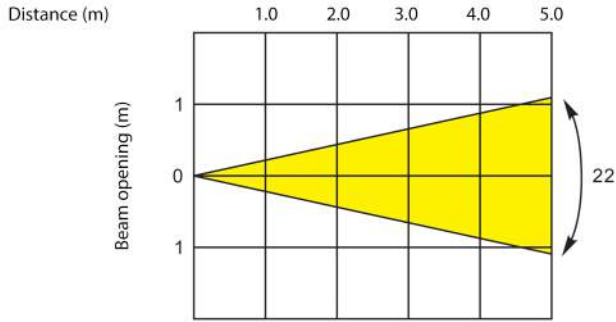
Road case available



Who said that Amber and UV need to come in a large can? The PARGBWAU5x12 is compact and feature packed. It uses 5 x 12W Hex colour LEDs which include Red, Green, Blue, White, Amber and Ultra Violet just like it's big brother. Even though this can is small enough to fit in a truss it still has all our standard features like the easy to use LCD panel menu, fan-less design, 5 dimming curves, standalone static colour settings and macros, master / slave modes with multi can chases and DMX upgradeable software.

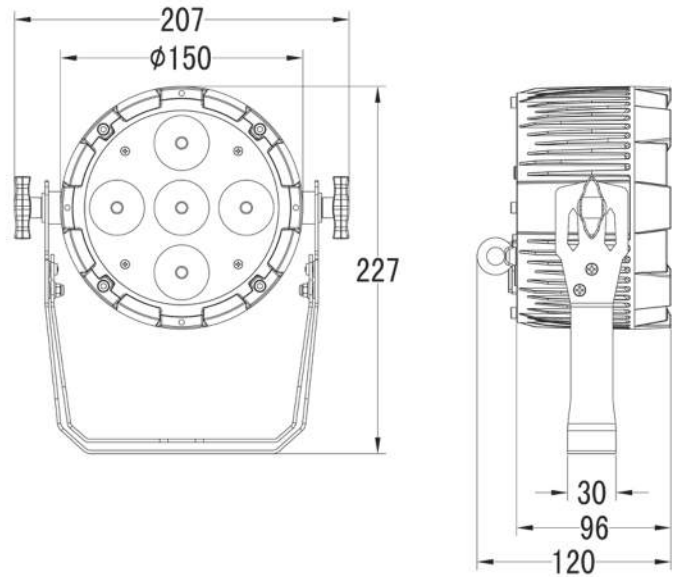


Photometric Data



Diameter(m)	0.52	0.93	1.33	1.74	2.14
Intensity LUX R	835	301	89	56	35
G	1344	353	156	91	58
B	902	245	102	59	40
W	1582	425	189	108	72
A	832	233	101	53	34
U	332	102	45	28	15
Full	4970	1523	555	302	213

Dimensional Diagrams



Details (Ver 2.0)

Input Voltages: 100V~240V AC, 50/60Hz

Power Consumption: 50W

Light source: 5 pcs 12 W RGBWAUV LED

Power Connection: Neutrik® Powercon input and output connection

LED life: 50,000 hours

Lux: 1523 lux on @2.0M RGBWAUV full on

Beam angle: 22°

PWM: 2,940Hz

Dimmer: 0-100% dimmer

Smooth electronic dimming with a 16-bit 4 Dimmer curve & one 8-bit Dimmer curve

Strobe: 1 - 30 Hz

Control: DMX512, 3-pin XLR interfaces, 6/8/12 channel mode

4-button LCD display control panel

Die-cast Aluminium housing

Smart Cooling system without fan

Software upgrade via DMX.

Net weight: 1.9 Kg

Overall Size: 207x227x120mm

Road case available

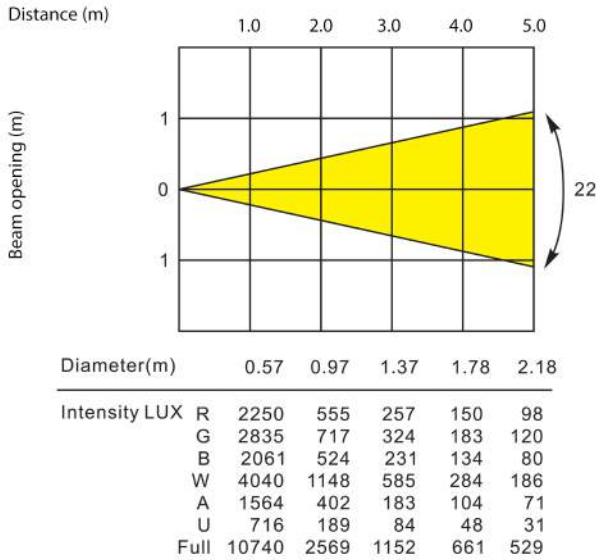


Need the use of Amber and UV to get the perfect colour mix? Look no further. The PARGBWAU12x12 uses 12 x 12W Hex colour LEDs which include Red, Green, Blue, White, Amber and Ultra Violet.

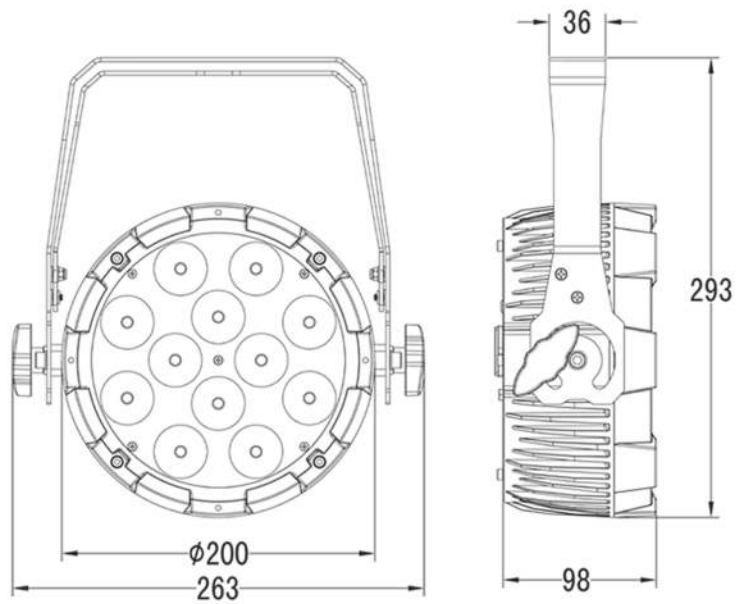
The unit also has the usual Event Lighting standard features not limited to the easy to use LCD panel menu, 5 dimming curves, standalone static colour settings and macros, master / slave modes with multi can chases and now DMX upgradeable software.

With the fan-less design it produces no noise and is perfect for almost any application.

Photometric Data



Dimensional Diagrams



Detail (Ver 2.0)

Input Voltages: 100V~240V AC, 50/60Hz

Power Consumption: 120W

Light Source: 12 pcs 12 W RGBWAUV LED

Power Connection: Neutrik® Powercon input and output connection

LED Life: 50,000 hours

Lux: 2569 lux on @2.0M RGBWAUV full on

Beam Angle: 22°

PWM: 2,940Hz

Dimmer: 0-100% dimmer

Smooth electronic dimming with a 16-bit 4 Dimmer curve & one 8-bit Dimmer curve

Strobe: 1 - 30 Hz

Control: DMX512, 3-pin XLR interfaces, 6/8/12 channel mode

4-button LCD display control panel

Die-cast Aluminium housing

Smart Cooling system without fan

Software upgrade via DMX.

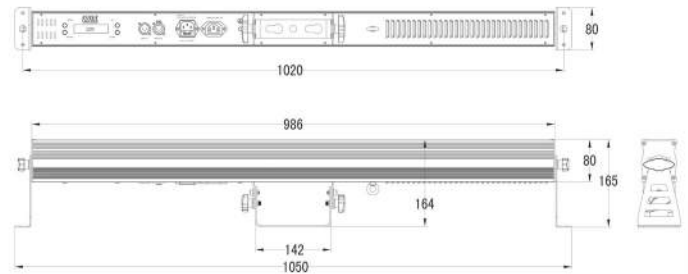
Net weight: 3.2 Kg

Overall Size: 263x293x98mm

Road case available



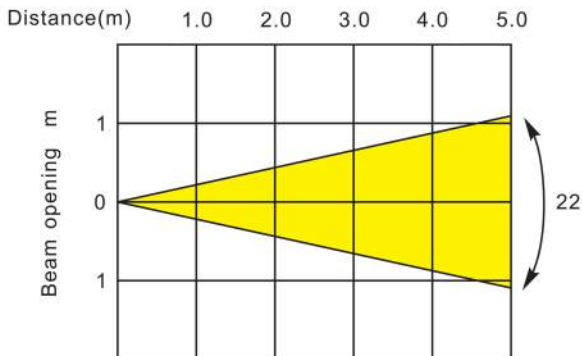
Dimensional Diagrams



Pixbar12x3 is one of the most affordable and durable LED Bars in the market capable of master / slave mode with multi bar chases built in. Pixbar12x8 with 8W RGBW LEDs gives you more options for colour than the usual. Bright enough for washing applications as well as an effect unit with the ability for multi bar chases, this bar has many applications. IEC in and out connectors as well as the usual standard features that Event Lighting LED products contain like fan less design, LCD panel, standalone and static modes.

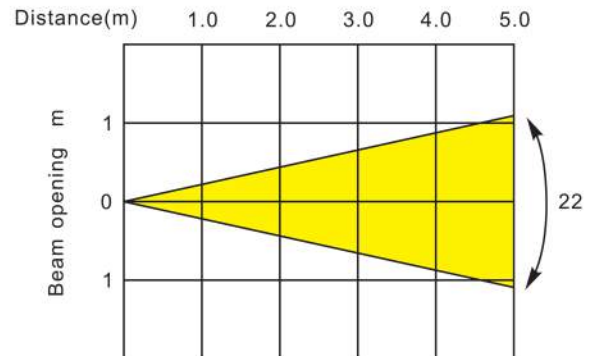
Photometric Data

PIXBAR12X3



Intensity LUX	R	1165	483	290	189	130
G	1230	512	312	205	142	
B	1342	556	345	223	154	
Full	2628	1353	789	569	393	

PIXBAR12X8



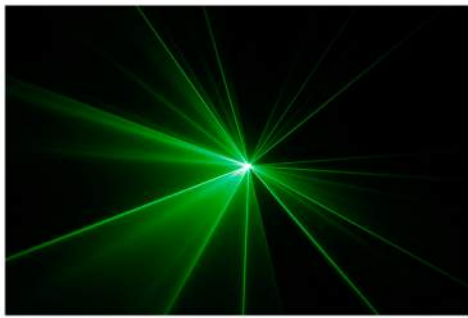
Intensity LUX	R	1645	705	381	244	170
G	1952	833	453	286	196	
B	2257	976	548	348	240	
W	2790	1237	693	443	306	
Full	7850	3500	1953	1253	872	

Details (Ver 2.0)	PIXBAR12X3	PIXBAR12X8
Input Voltages	100V~240V AC, 50/60Hz	
Power Consumption	60W	120W
Light Source	12pcs 3W RGB LED	12pcs 8W RGBW LED
Power Connection	IEC power input and output connection	
Lux on @2.0M RGB full on	1353 lux	3500 lux
Beam Angle	22°	
PWM	2,940 Hz	
Dimmer	0-100% dimmer	
Dimmer curve	8-bit dimmer curve	four 16-bit dimmer curve & one 8-bit dimmer curve
Strobe	1 - 30 Hz	
DMX512 control with 3-pin XLR interfaces	3/4/5/6/7/9/12/18/36 channel mode with included individual pixel control	4/6/8/9/12/16/24/48 channel mode with included individual pixel control
Operation Mode	DMX, auto, sound active, master/ slave, manual colour mode, static colour mode,	
4-button LCD display control panel		
Aluminum housing with hanging bracket and floor stand on both end		
Smart Cooling system without fan		
Net weight	4kg	
Overall Size	425 x 187 x 163 mm	
Road case available		

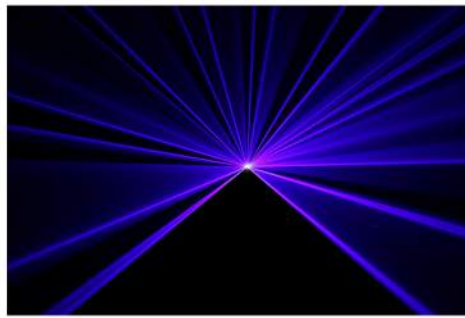


The DM and TDM Series is our stepper motor laser series. Each model had DMX, sound active, auto play and master/slave modes. They also come with an easy to use IR remote control to simplify control without the need for DMX. There is a huge selection of single and multiple colour modes.

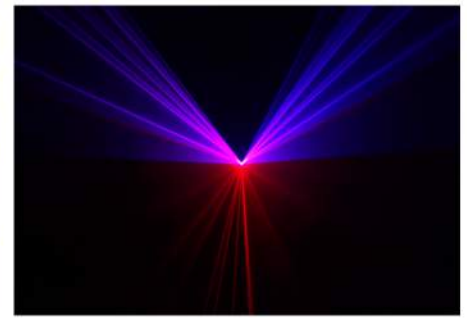
DM & TDM Laser Series Specifications



DM100G



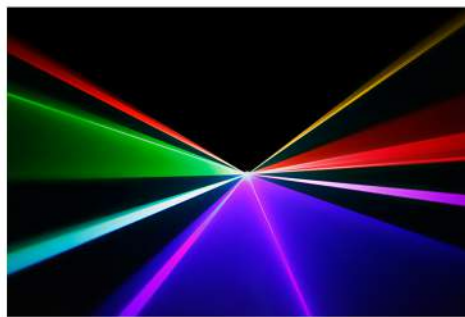
DM450B



DM300RBP



DM200RGY



DM400RGB



TDM400RGB

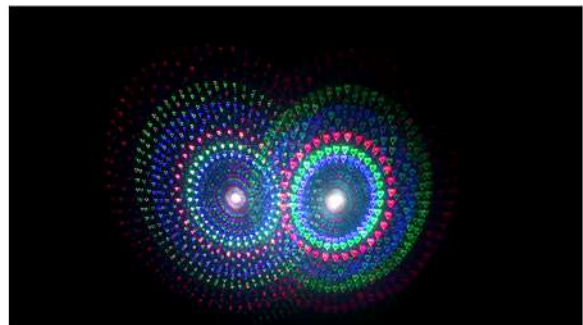
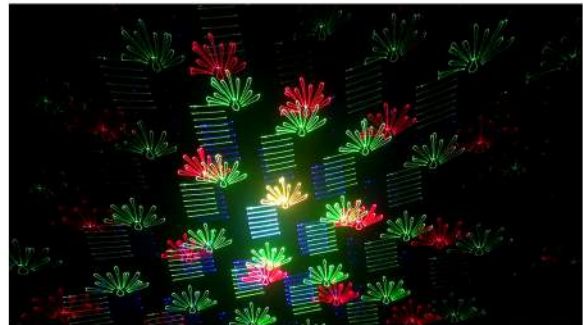
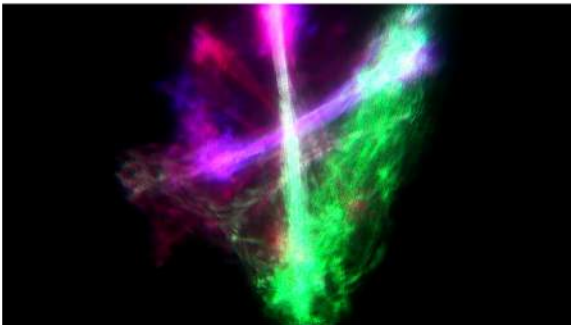
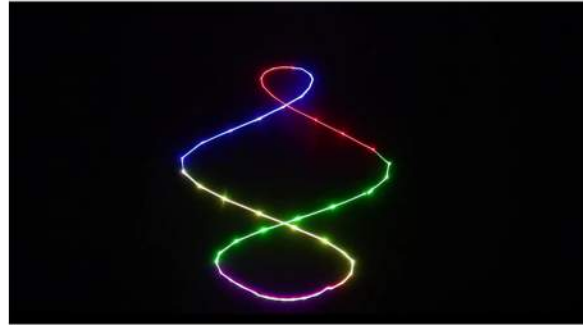
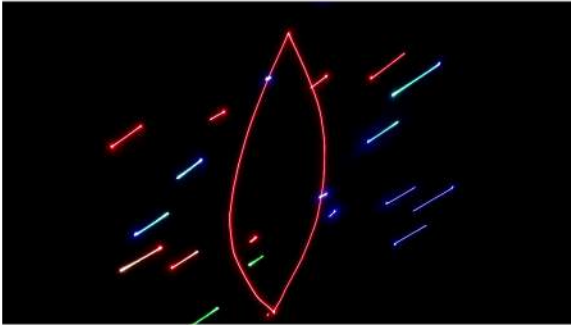
	DM100G	DM450B	DM300RBP	DM200RGY	DM400RGB	TDM400RGB
AC Adapter	100~240V AC 50/60Hz input, 12V DC 1.5A output					
Power Consumption	14W					
Red Laser Diode			150mW 650nm	200mW 650nm	200mW 650nm	200mW 650nm
Green Laser Diode	100mW 532nm			50mW 532nm	50mW 532nm	50mW 532nm
Blue Laser Diode		450mW 450nm	150mW 450nm		150mW 450nm	150mW 450nm
Laser Classification	Class 3B					
DMX512	8 channel mode		9 channel mode			
IR Remote Control	Yes					
Program	1 auto mode 1 sound active mode		4 auto mode 4 sound active mode		8 auto mode 8 sound active mode	
Master/slave	Yes					
Net weight	0.85kg	0.84kg	0.85kg	0.85kg	0.91kg	0.92kg
Overall Size	159 x 90 x 71 mm					



The market has been asking for higher power lasers with more features and at affordable rates. We have it - our new range answers to everything we have ever been asked for.

Easy to use LCD panel with SD card, standalone and master/slave functions as well as sound active mode and not forgetting DMX and ILDA. These lasers also have an effect wheel for the split beam effect as well as others.

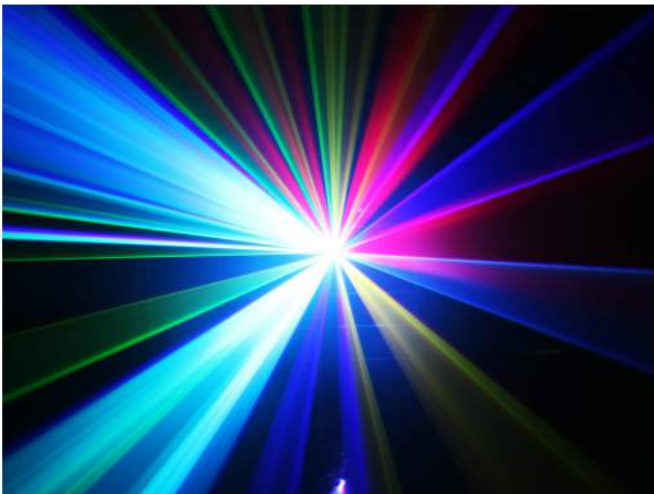
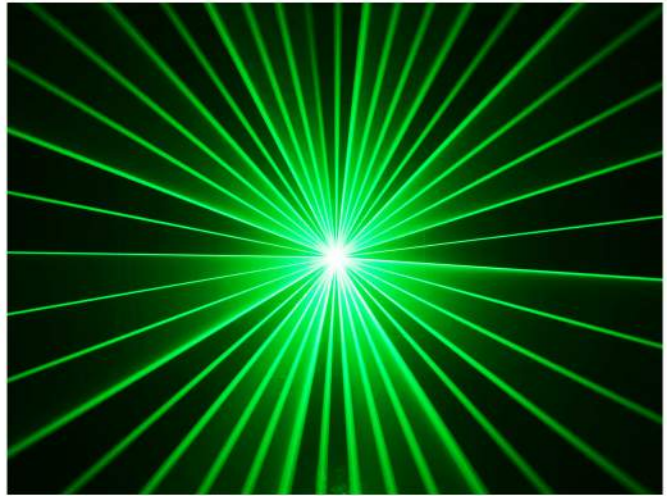
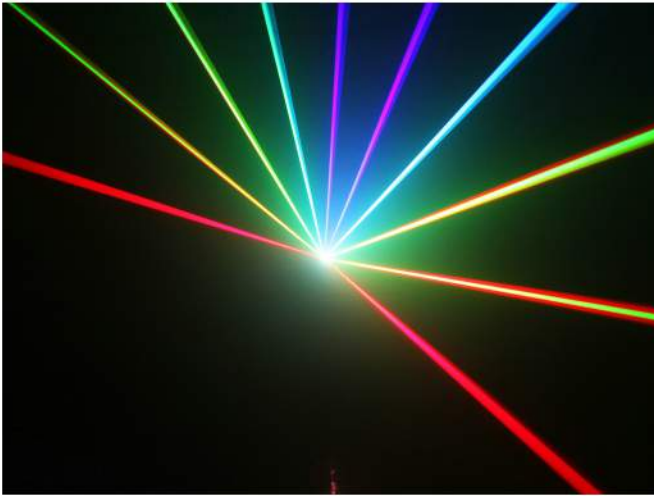
With TTL colour mixing R G and B lasers give you a total of 7 colours and with the ability to run a program from the SD card by DMX these lasers are suitable for many applications including reception centres, productions and hire.



	LASER1W20KE	LASER2W20KE
Input Voltages	100V~240V AC, 50/60Hz	
Power Consumption	26W	77W
Red Laser Diode	350mW @650 nm	500mW @638 nm
Green Laser Diode	150mW @532 nm	300mW @532 nm
Blue Laser Diode	600mW @450 nm	1,200mW @450 nm
Laser Classification	Class 4	Class 4
TTL modulate laser diode		
Scanner Speed	20Kpp	20Kpp
Control	DMX, ILDA, SD card	
Operation Mode	DMX, auto or sound active under 5 different grating effect, master/ slave	



Want a large range of colours from your laser? Analogue dimming is now here without the astronomical price tag! Even though these lasers are high powered and have analogue dimming we have also included all the really cool features like an easy to use LCD panel with SD card, standalone and master/slave functions as well as sound active mode and not forgetting DMX and ILDA. These lasers are suitable for large productions, warehouse clubs, and long distance projections.



	LASER4W30K	LASER5W30K	LASER6W30K	LASER8W40K
Input Voltages	100V~240V AC, 50/60Hz			
Power Consumption	120W	150W	220W	300W
Red Laser Diode	1000mW 638 nm	1500mW 638 nm	1500mW 638 nm	2000mW 638 nm
Green Laser Diode	1000mW 520 nm	1000mW 532 nm	1500mW 532 nm	2000mW 532 nm
Blue Laser Diode	2000mW 450 nm	2500mW 450 nm	3000mW 450 nm	4000mW 450 nm
Laser Classification	Class 4			
Analog modulate laser diode				
Scanner Speed	30Kpp	30Kpp	30Kpp	40Kpp
Control	DMX, ILDA, SD card			
Operation Mode	DMX, auto run, sound active, master/ slave			

Protect your investment with these sturdy road cases. Each unit is divided into its own individual section and is protected by foam. Perfect for touring, hire and event situations.

	Dimensions (cm)	Weight (kg)	Fit Qty	Fit model
PAN5X5CASE	77x62x76	35	4	PAN5x5x30
PAN4X4CASE	74x49x64	26	4	PAN4X4x30 PANBEAM4X4x10
PAN4X1CASEWC	84x47x48	24	4	PAN4X1x15 PAN4X1x30 PANBEAM4x1X10
PAN8X1CASEWC	92x90x48	36	4	PAN8X1x30
PAR12CASE	70x62x49	25	10	PARRGBW12X8 PARRGBWAU12X12
PAR12CASEWC	70x62x63	28	10	PARRGBW12X8 PARRGBWAU12X12
PAR5CASE	75X62X47	24	12	PARRGBW5X8 PARRGBWAU5X12
PAR5CASEWC	75X62X55	28	12	PARRGBW5X8 PARRGBWAU5X12
PIXBAR12CASE	110X82X36	37	8	PIXBAR12x3 PIXBAR12x8
PIXBAR12CASEWC	110X82X49	40	8	PIXBAR12x3 PIXBAR12x8
MCASE4SS	81x65x65	40	4	M1S75W
MCASE4W7	72x57x59	37	4	M7W15RGBW
MCASE2W19	90x58x67	35	2	M19W15RGBW
MCASE2W37	92x51x80	39	2	M37W15RGBW
MCASE2MB	89x41x75	33	2	M6B20W M6B10RGBW
MCASE2LS	90x42x75	35	2	M1B90W M1B150W M1S100RGBW M1S150W
DASDICASE1	43x35x24	8	1	DASDI1000RGB



CLAMPT50

This clamp is super heavy duty and very easy to use with a large thumb wheel and a SWL of 150Kg with TUV rating. It comes with M10 rated nut and wing nut including a washer and spring washer as you should expect. Perfect for production use where easy fitting and removal of fixtures from truss is required.
Pipe size : 30 – 52mm
SWL: 150Kg
Colour : Black



CLAMPP50

Very affordable and durable hook clamp for permanent installations. SWL of 100Kg and included rated bolt and wing nut with washers and spring washers for easy installation.
Pipe size : 38 – 51mm
SWL: 100Kg
Colour : Black



SW3X800PC

A simple yet necessary product to protect your fixture and the people underneath! Suitable for most of our stage lighting this safety wire is PVC coated to protect your bar or truss from being scratched and comes with a quick release snap hook for production use.
Thickness : 3mm
Length : 800mm
Colour : Silver



PAR 12 Barn Door

Everyone has been asking for barn doors to suit our most popular par can. Well here it is, this barn door is designed specifically for our Par12 size par cans and also comes with a GEL frame for any GEL filters that you may want to use!





Antari[®]
FOG MACHINE

Event Lighting Pty Ltd
35 Berry Street, Clyde
NSW 2142

T: 02 9897 3077
02 9897 3088

E: info@event-lighting.com.au
www.event-lighting.com.au